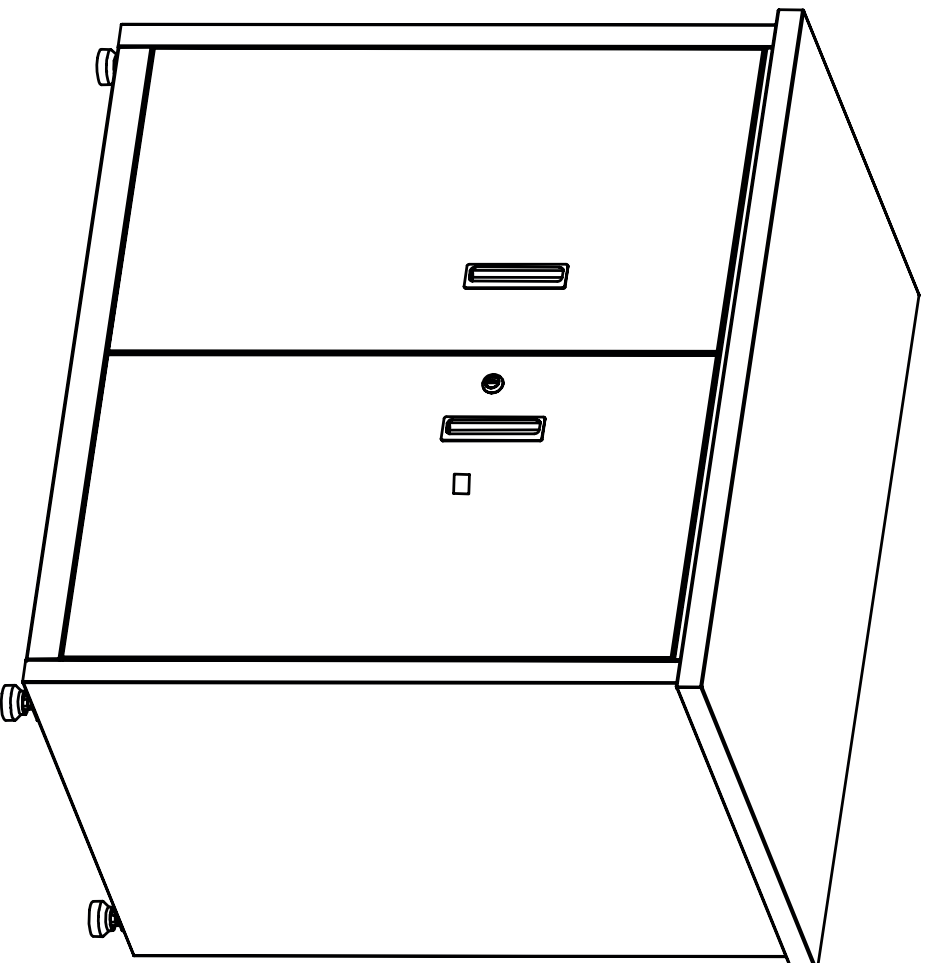


**Gary Metall-Terrassenschrank 1/
Gary Metal Terrace Cabinet 1**

weka

Art.-Nr: 7010012

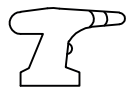
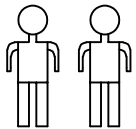
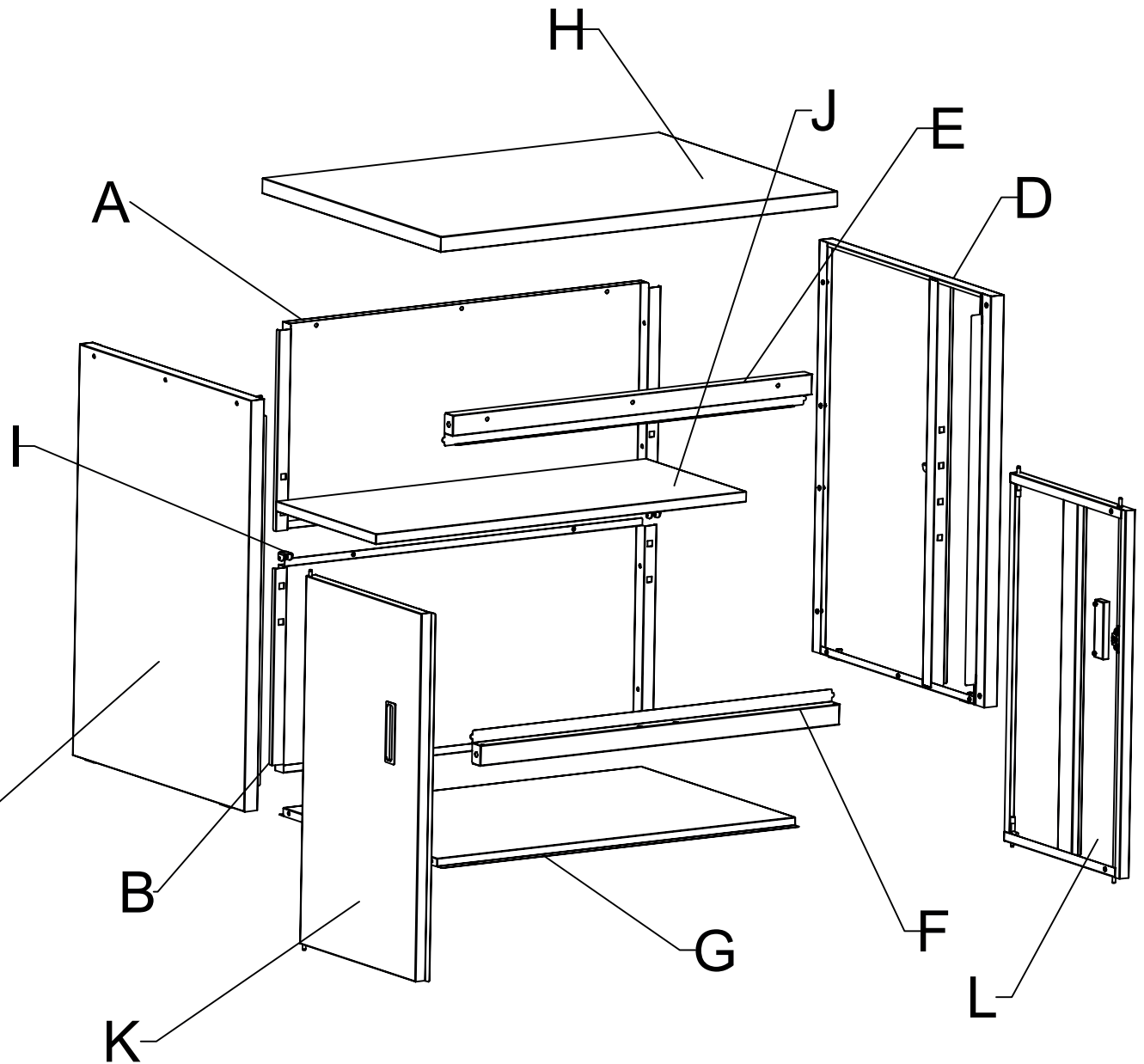
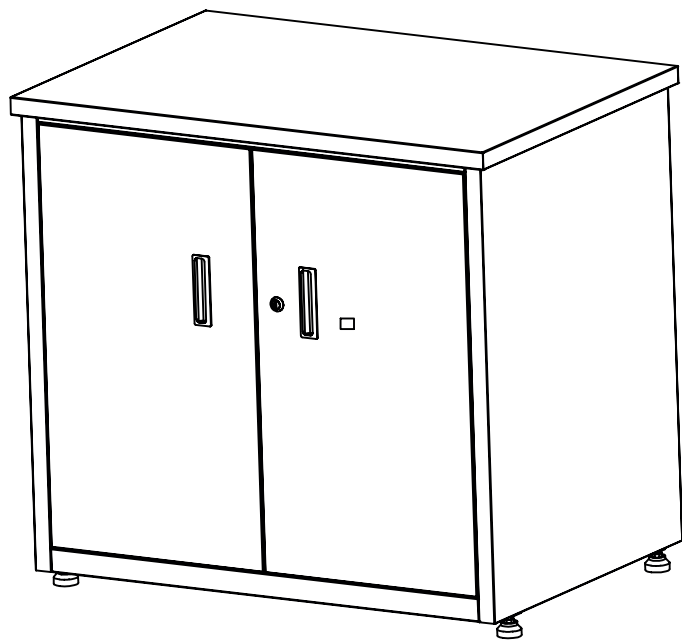


**Montageanleitung/
Assembly instructions**

**weka Holzbau GmbH
Postfach 20 02 04
D-17013 Neubrandenburg**

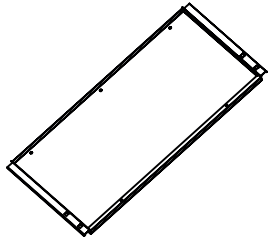
www.weka-holzbau.com

**Sie erreichen uns/ You can reach us:
Mo - Fr 08:30 - 16:30 Uhr
+49 (0)395/42908-0**

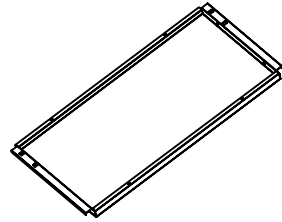


30Min

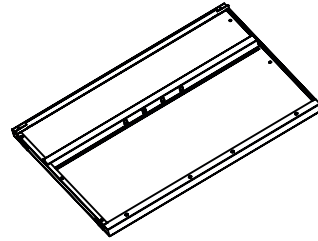
Ax1



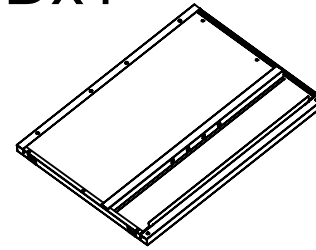
Bx1



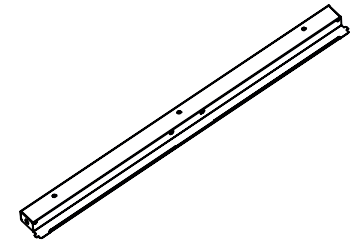
Cx1



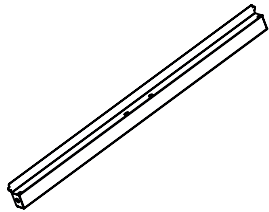
Dx1



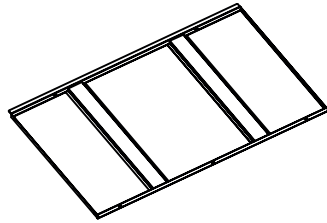
Ex1



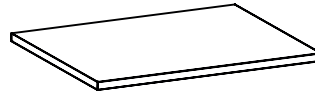
Fx1



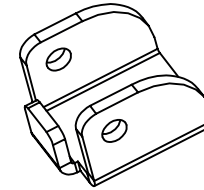
Gx1



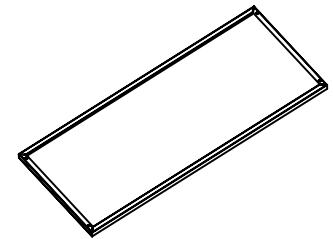
Hx1



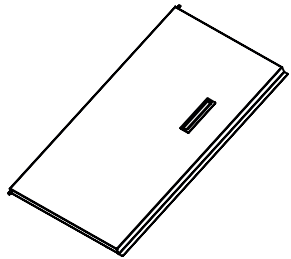
Ix4



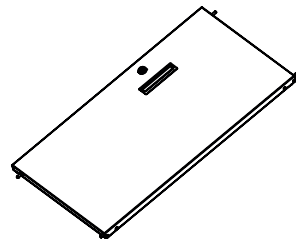
Jx1



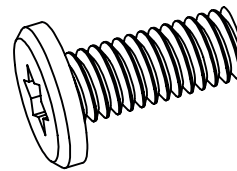
Kx1



Lx1

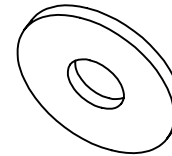


Mx37

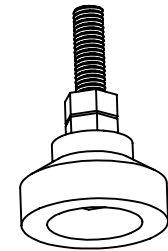


M4x10

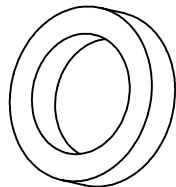
Nx37



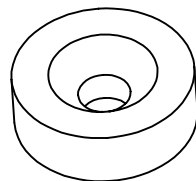
Ox4



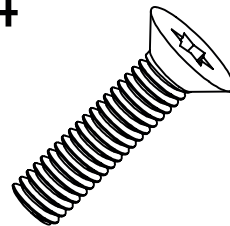
Px2



Qx4

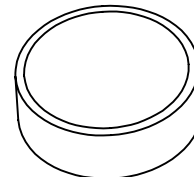


Rx4

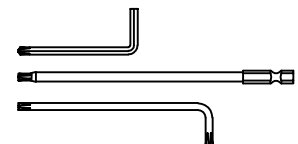


M4x14

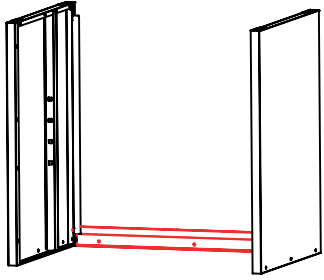
Sx4



Tx1

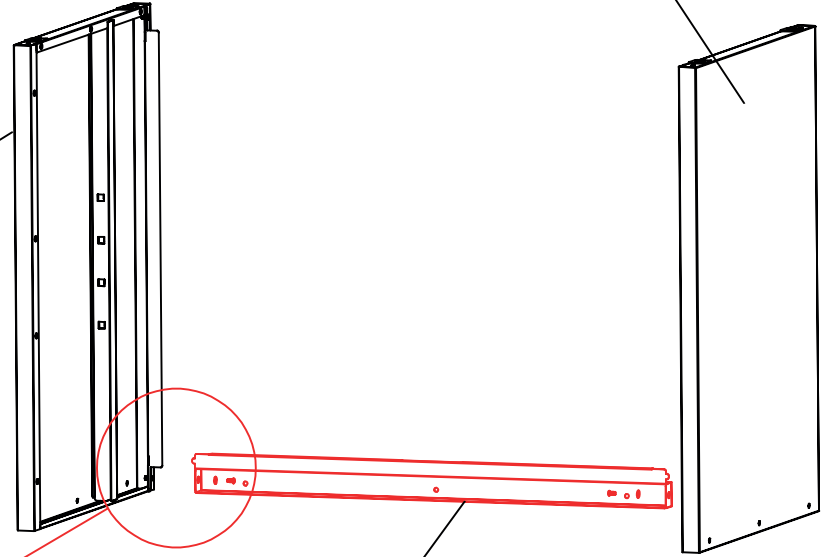


STEP 1

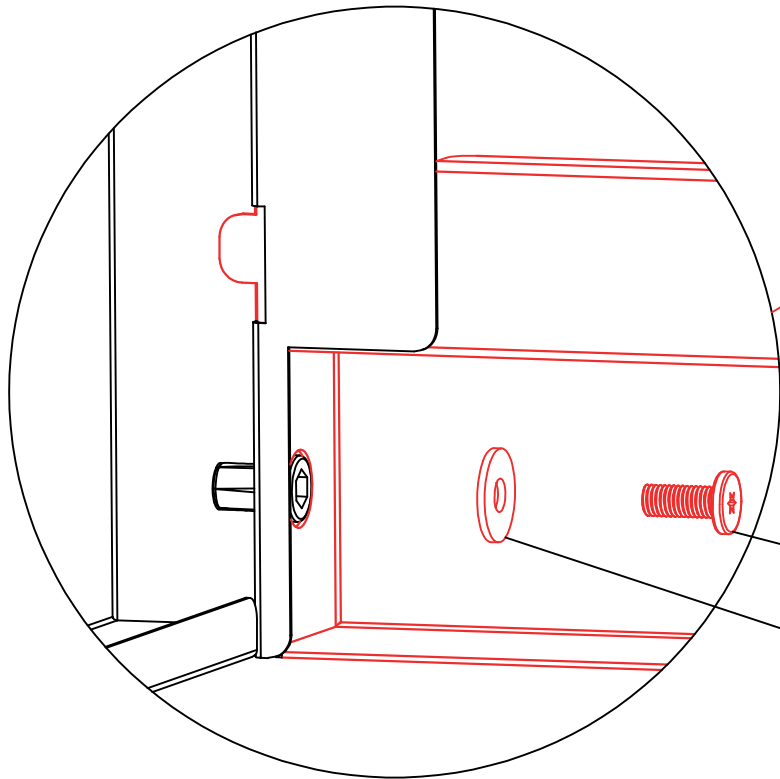


Cx1

Dx1



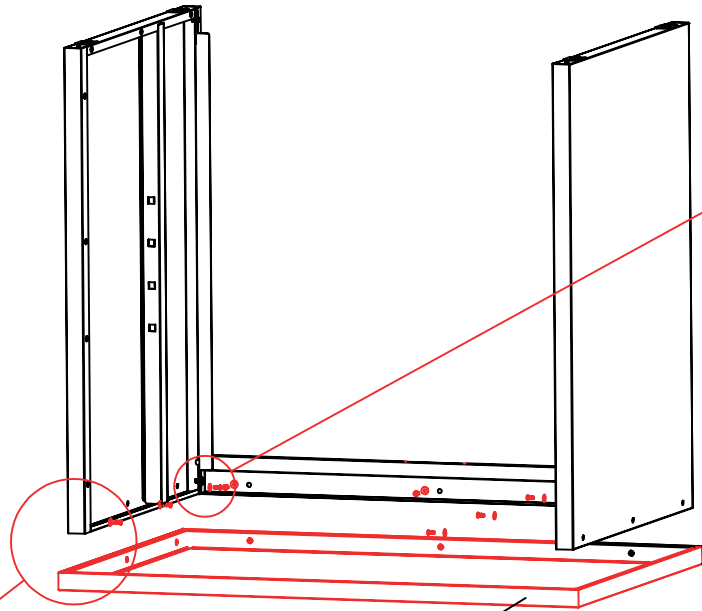
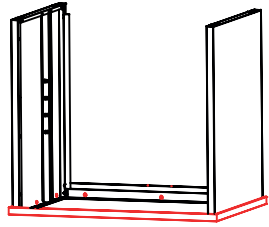
Ex1



Mx2

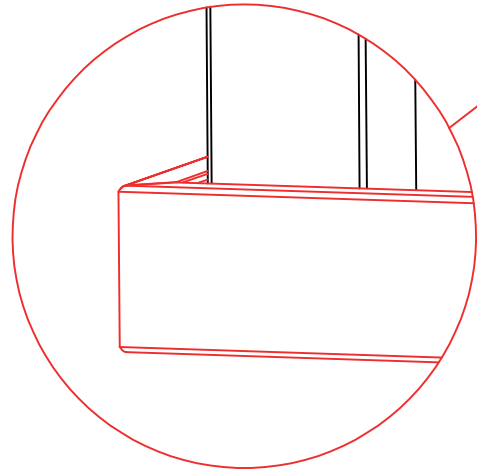
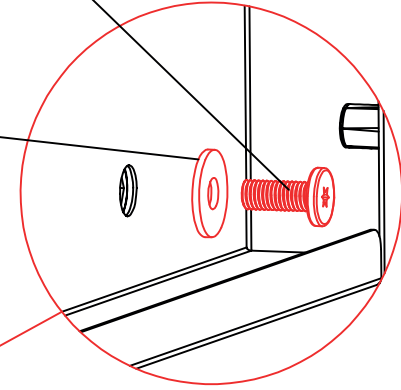
Nx2

STEP 2



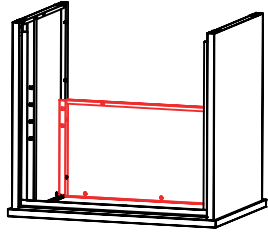
Mx9

Nx9

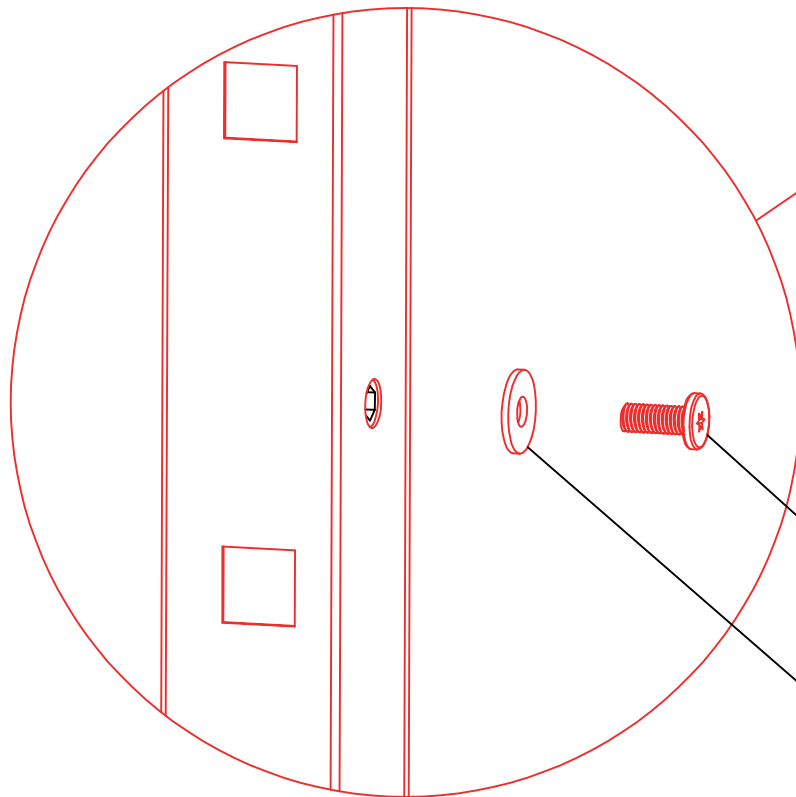
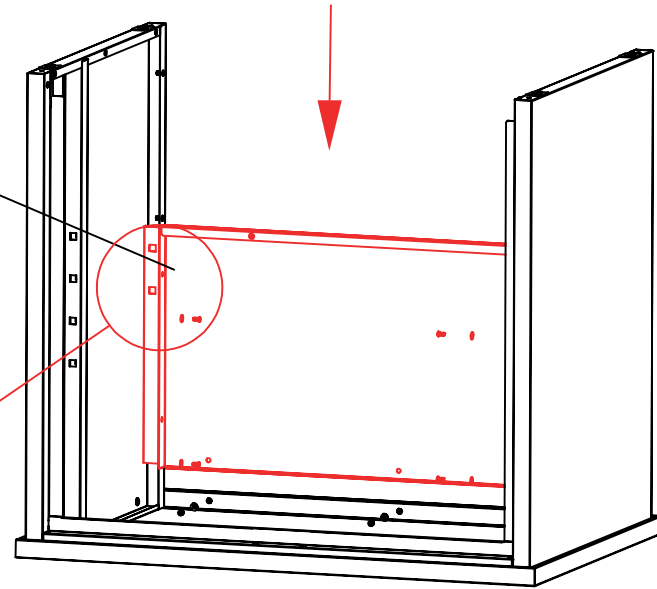


Hx1

STEP3



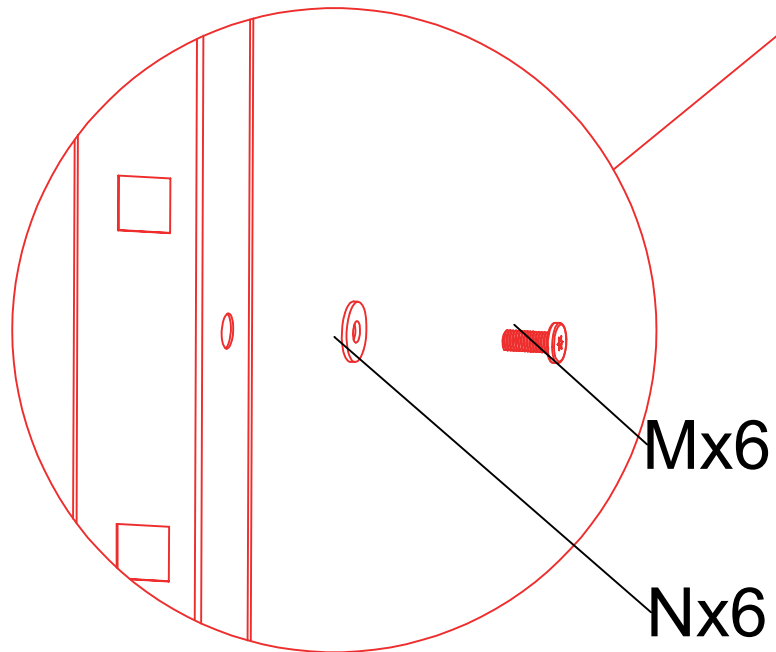
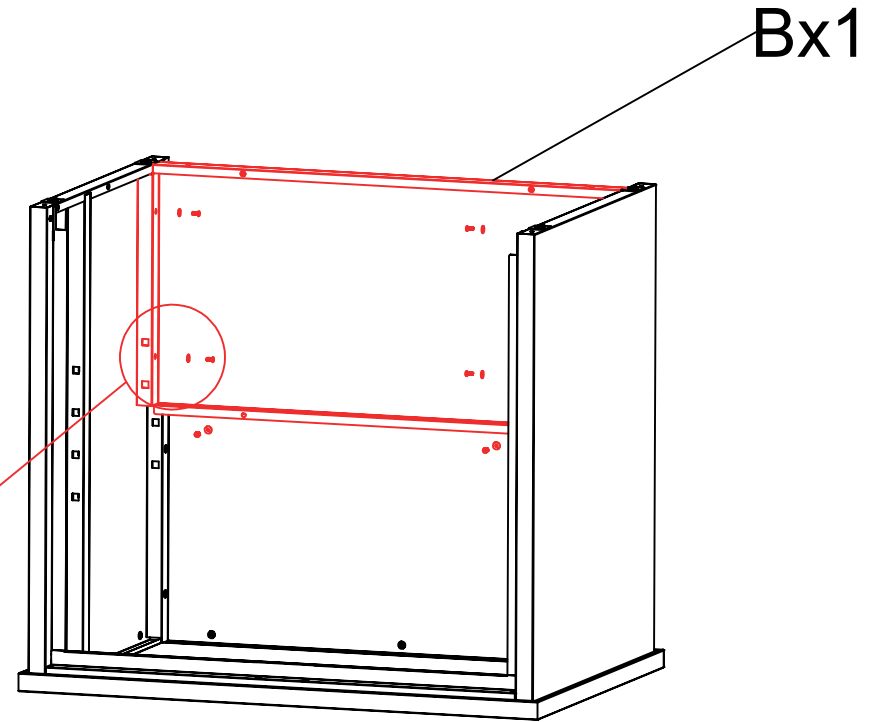
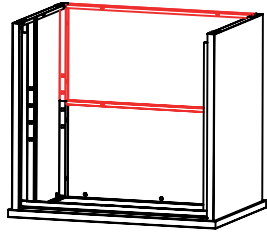
Ax1



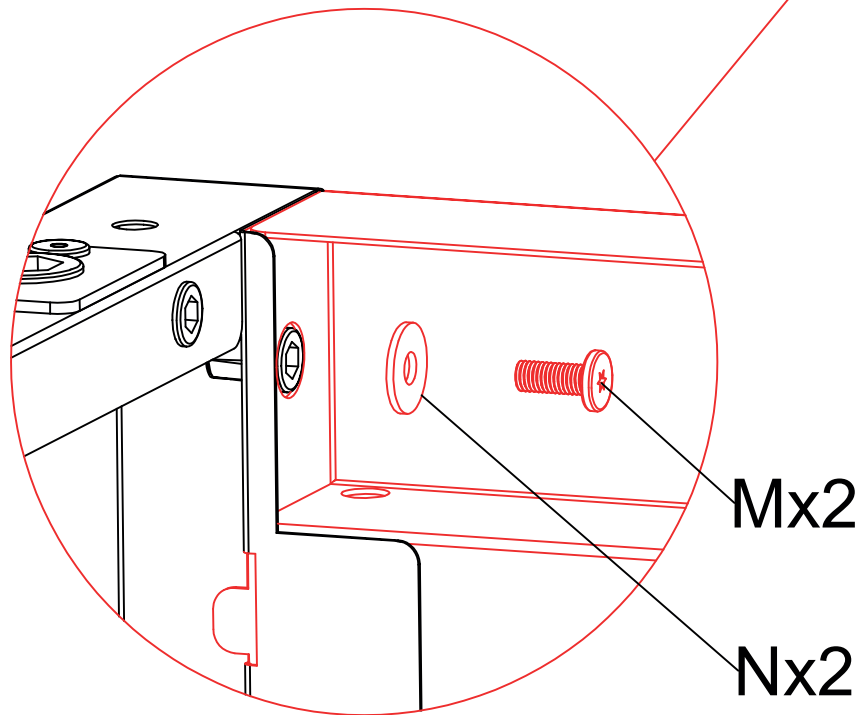
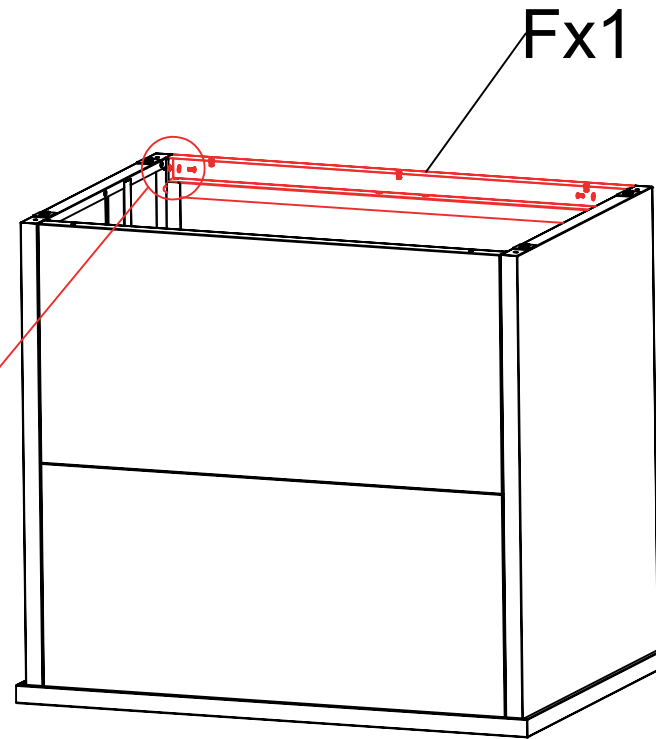
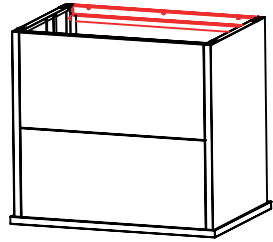
Mx7

Nx7

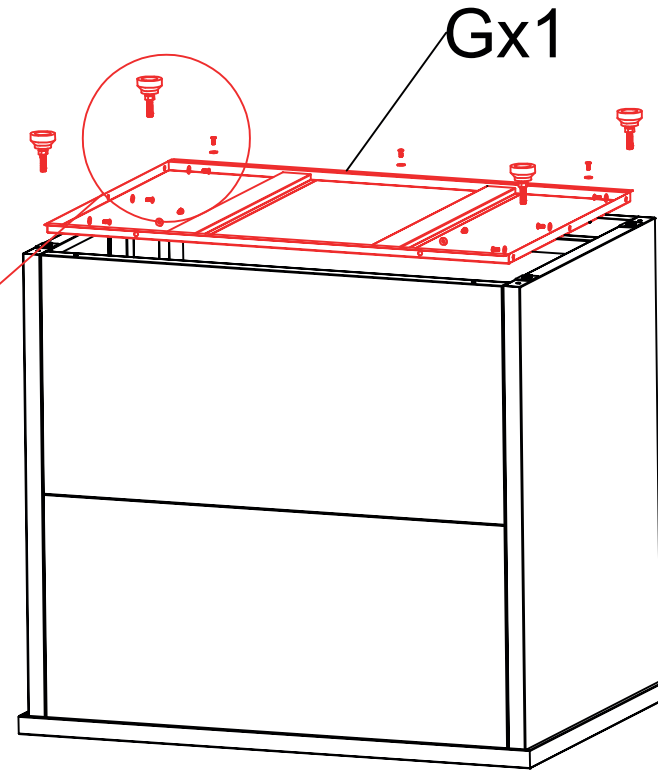
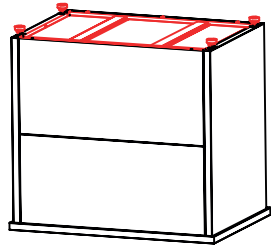
STEP4



STEP5



STEP 6



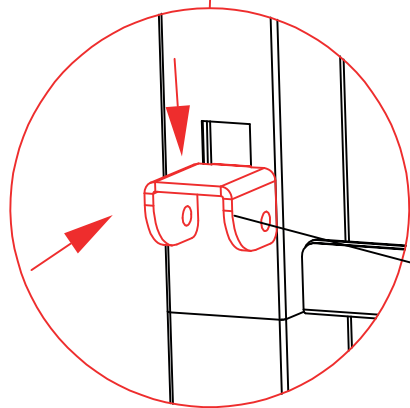
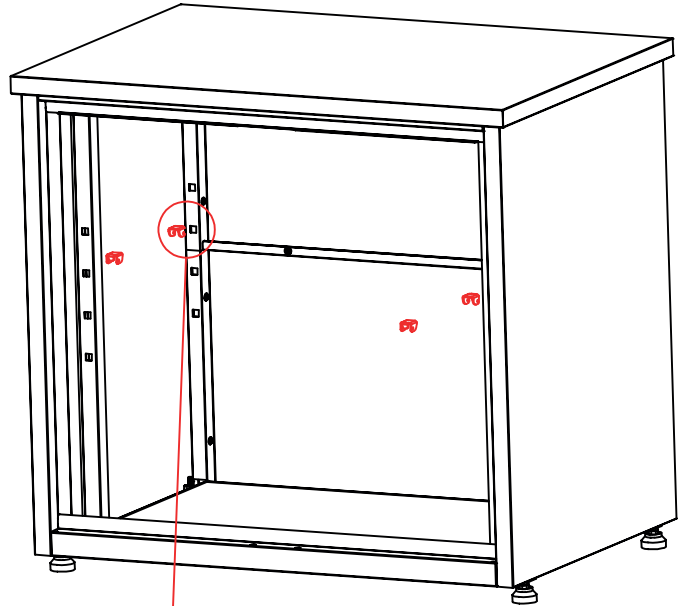
Gx1

Ox4

Mx11

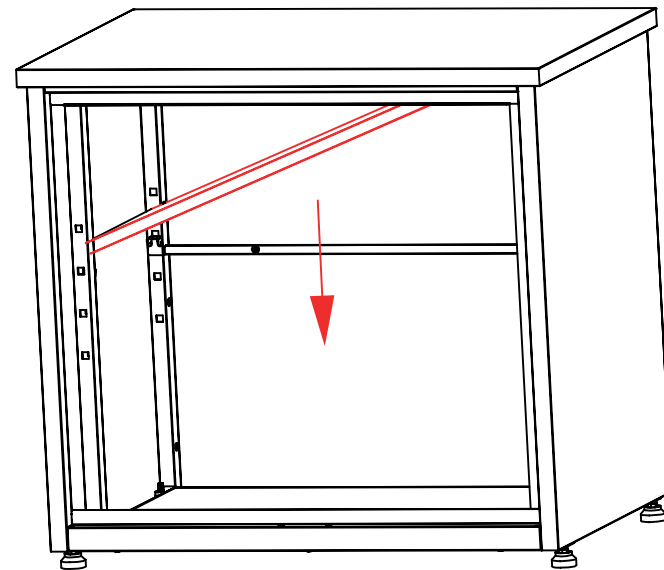
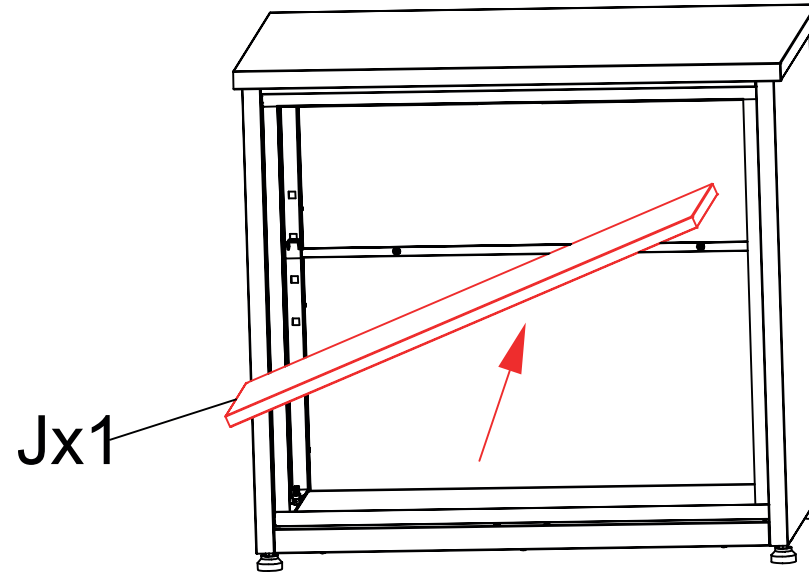
Nx11

STEP7-1



Ix4

STEP7-2



STEP8

