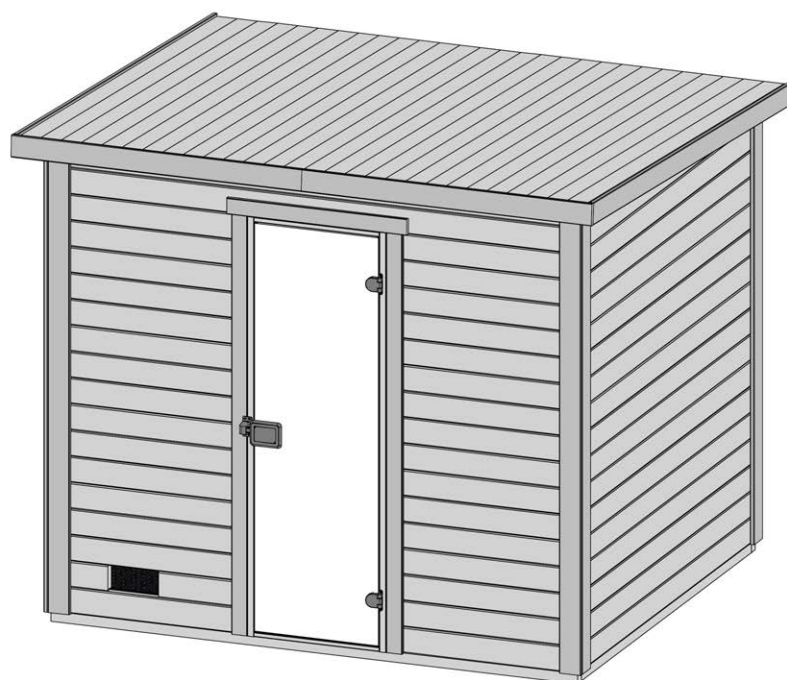


# weka



## Teil 1

### Saunahaus Kaapi



Art.-Nr.: 534201180000

534201580000

534202080000

534242080000

534201187000

534201587000

534202087000

534242087000

### Montageanleitung



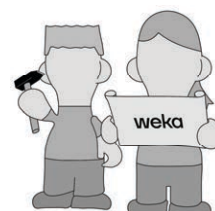
800.0286.26.11

+

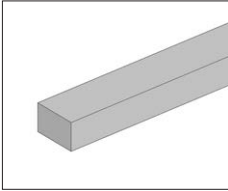
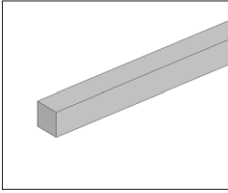
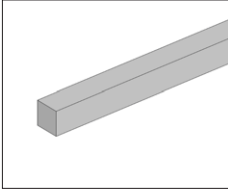
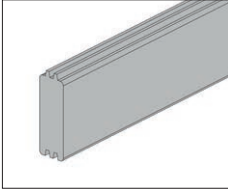
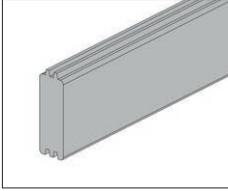
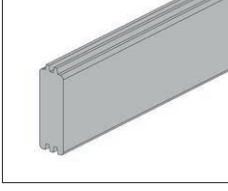
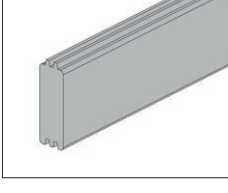


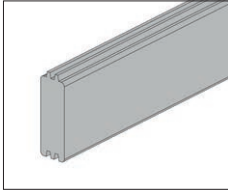
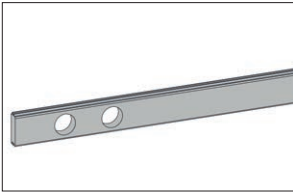
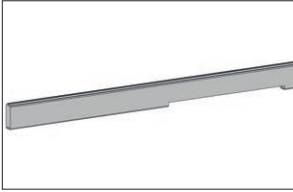
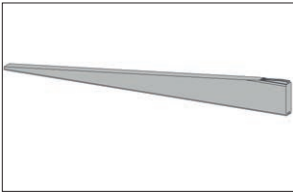
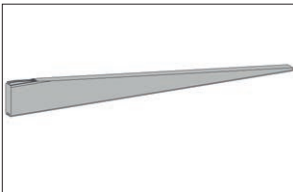
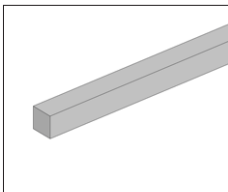
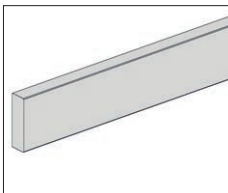
800.0286.20.57

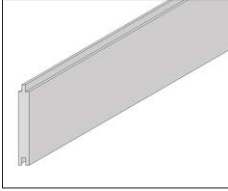
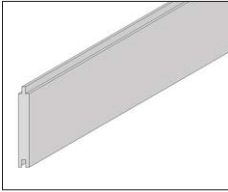
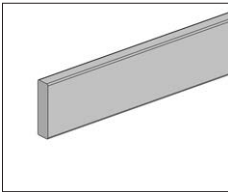
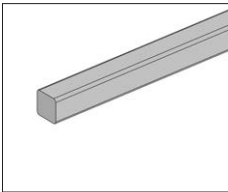
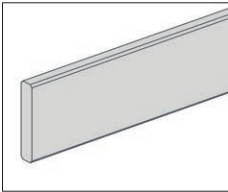
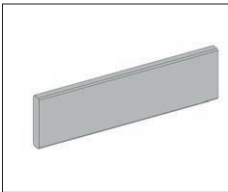
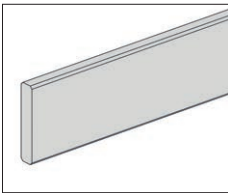
=

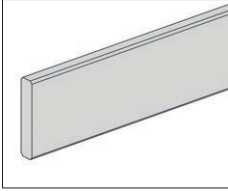
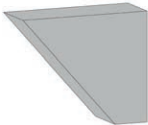



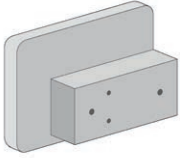





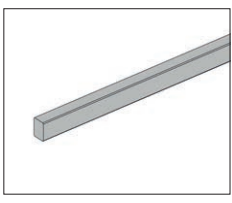


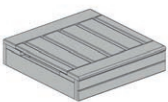

Stand: 2622





Pos	Bild	Abmessung ( mm )	Anzahl (Stück)			
			53420118X000	53420158X000	53420208X000	53424208X000
①	R004.3013.1050 R004.3013.1400 R004.3013.1900	 45/70/1050 45/70/1400 45/70/1900	2 - -	- 2 -	- - 2	- - 2
②	R004.3012.1990 R004.3012.2340	 45/45/1990 45/45/2340	2 -	2 -	2 -	- 2
③	R004.3012.1050 R004.3012.1400 R004.3012.1900	 45/45/1050 45/45/1400 45/45/1900	3 - -	- 3 -	- - 3	- - 4
④	RXXX.2018.0670 RXXX.2018.0845	 40/122/670 40/122/845	31 -	31 -	31 -	- 31
⑤	RXXX.2018.0220	 40/122/220	1	1	1	1
⑥	RXXX.2018.0220 RXXX.2018.0400	 40/122/220 40/122/400	1 -	1 -	1 -	- 1
⑦	RXXX.2018.1110 RXXX.2018.1460 RXXX.2018.1960	 40/122/1110 40/122/1460 40/122/1960	34 - -	- 34 -	- - 34	- - 34

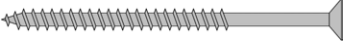
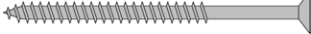
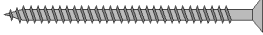








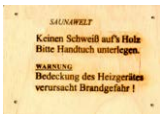
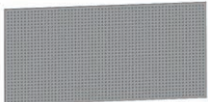
Pos	Bild	Abmessung ( mm )	Anzahl (Stück)			
			53420118X000	53420158X000	53420208X000	53424208X000
8	RXXX.2018.1960 RXXX.2018.2310 	40/122/1960 40/122/2310	17 -	17 -	17 -	- 17
9	GXXX.2018.001 GXXX.2018.009 	40/122/1960 40/122/2310	1 -	1 -	1 -	- 1
10	GXXX.2018.002 GXXX.2018.010 	40/122/1960 40/122/2310	1 -	1 -	1 -	- 1
11	GXXX.2018.003 GXXX.2018.005 GXXX.2018.007 	40/122/1110 40/122/1460 40/122/1960	1 - -	- 1 -	- - 1	- - 1
12	GXXX.2018.004 GXXX.2018.006 GXXX.2018.008 	40/122/1110 40/122/1460 40/122/1960	1 - -	- 1 -	- - 1	- - 1
13	R002.3014.2100 	44/44/2100	4	4	4	4
14	R002.0350.1915 R002.0350.2265 	45/146/1915 45/146/2265	1 -	1 -	2 -	- 2

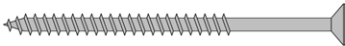
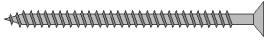
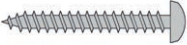

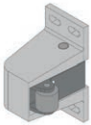
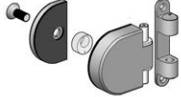


Pos	Bild	Abmessung ( mm )	Anzahl (Stück)			
			53420118X000	53420158X000	53420208X000	53424208X000
15	R002.2001.1910 R002.2001.2260 	18,5/98,5/1910 18,5/98,5/2260	12 -	16 -	22 -	- 22
16	R002.2002.1360 R002.2002.1700 R002.2002.2240 	15,5/98,5/1360 15,5/98,5/1700 15,5/98,5/2240	25 - -	- 25 -	- - 25	- - 28
17a	R012.3016.2100 	11/70/2100	3	3	3	3
17b	R002.3016.2100		3/5	3/5	3/5	3/5
18	R002.3015.1870 	18/18/1870	4	4	4	4
19	R002.0540.2100 	18,5/96/2100	8	8	8	8
20	R002.0540.0354 	18,5/96/354	1	1	1	1
21	RXXX.0540.1300 RXXX.0540.2260 	18,5/96/1300 18,5/96/2260	- 1	- 1	- 1	2 -

Pos	Bild	Abmessung ( mm )	Anzahl (Stück)			
			53420118X000	53420158X000	53420208X000	53424208X000
22	RXXX.0540.1420 RXXX.0540.2100 RXXX.0540.2260 	18,5/96/1420 18,5/96/2100 18,5/96/2260	2 - -	- 2 -	- - 2	- - 2
23	G002.3005.005 	44/100/120	6	6	8	8
24	C212.0501.0001 		1	1	1	1
25	K107.5618.1010 		1	1	1	1
26	B500.03.0067 		1	1	1	1
27	B500.03.0155 		1	1	1	1
28	B537.03.0002 	40/375/439	1	1	1	1

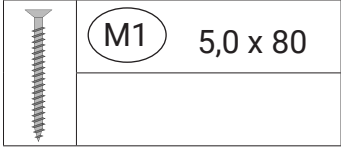
Pos	Bild	Abmessung ( mm )	Anzahl (Stück)			
			53420118X000	53420158X000	53420208X000	53424208X000
29	B537.03.0003 	40/375/565	1	1	1	1
30	G537.02.0021 	28/40/550	2	2	2	2
31	G537.02.0022 	28/40/1090	-	2	2	3
32	B002.0801.0001 B002.0801.0002 	113/550/1910 113/550/2260	1 -	2 -	2 -	- 2
33	B002.0801.0003 	113/550/1275	-	-	-	1
34	C547.03.0001 		1	-	-	-
35	C547.03.0011 		2	-	-	-

Pos	Bild	Abmessung ( mm )	Anzahl (Stück)			
			53420118X000	53420158X000	53420208X000	53424208X000
36	C547.03.0010 		2	-	-	-
37	B002.0804.0001 		-	-	-	1
38	B002.0804.0002 		-	-	-	1
39	R002.0196.0180 	34/34/180	4	4	8	8

Pos	M500.081	Abmessung ( mm )	Anzahl (Stück)
	Bild		
M1	K001.8050.0004 	5,0 x 80	25
M2	K001.7045.0004 	4,5 x 70	320
M3	K001.6040.0004 	4,0 x 60	60
M4	K001.5040.0004 	4,0 x 50	25
M5	K001.4040.0004 	4,0 x 40	240
M6	K001.3535.0004 	3,5 x 35	25
M7	K001.3035.0004 	3,5 x 30	150
M8	K002.2050.0004 	5,0 x 20	15
M9	K010.4018.0001 	1,8 x 40	300
M10	K005.5006.0001 	M6 x 50	3
M11	K020.6400.0001 		3
M12	G500.01.0009 		1
M13	K533.3000.0015 		2

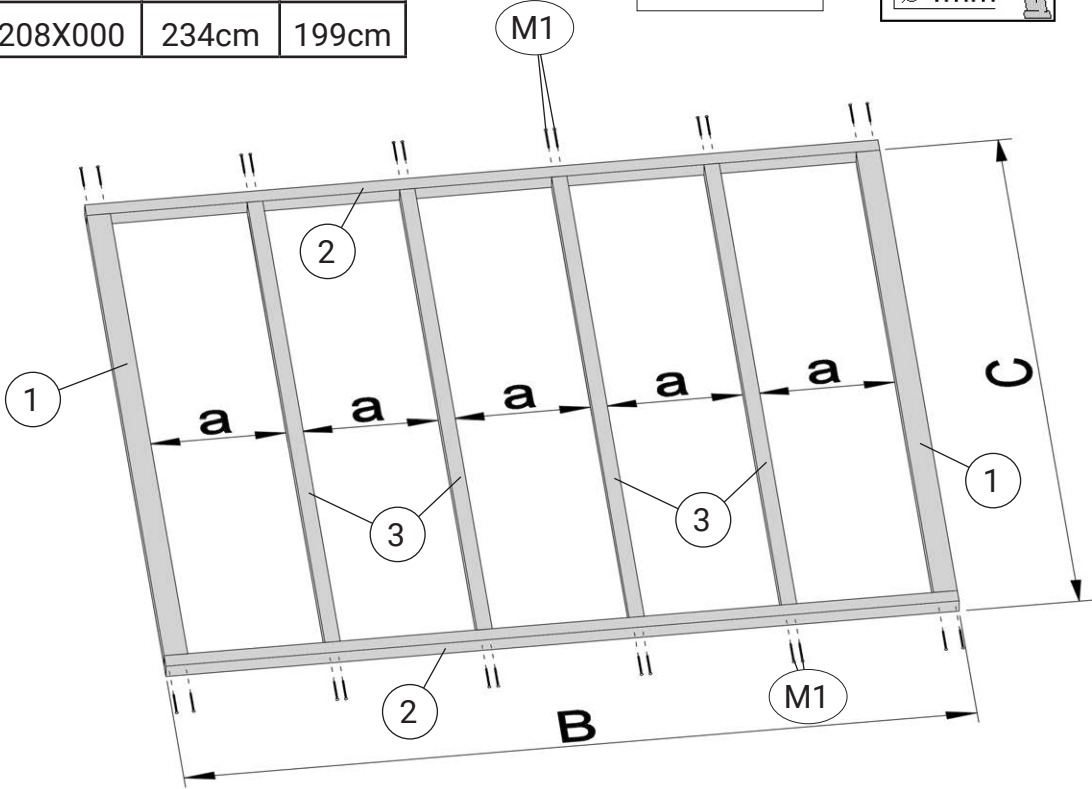
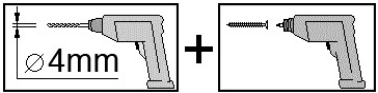
Pos	M520.005	Abmessung ( mm )	Anzahl (Stück)
	Bild		
M14	K001.8050.0004 	5,0 x 80	10
M15	K001.6040.0004 	4,0 x 60	12
M16	K002.4050.0004 	5,0 x 40	4
M17	K002.1625.0001 	2,5 x 16	2
M18	K042.3014.0001 	60/40/84	1
M19	K037.6080.0010 		2
M20	K500.0609.0001 	1/95/65	1
M21	K095.4000.0002 	1/45/130	2

1



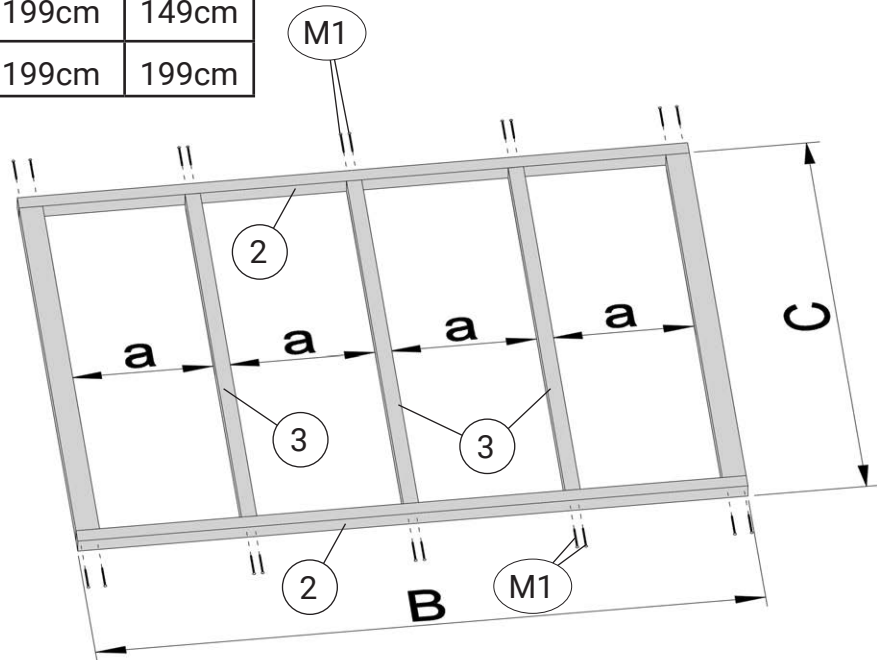
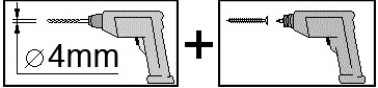
Art.-Nr.:	B	C
53424208X000	234cm	199cm

a = a




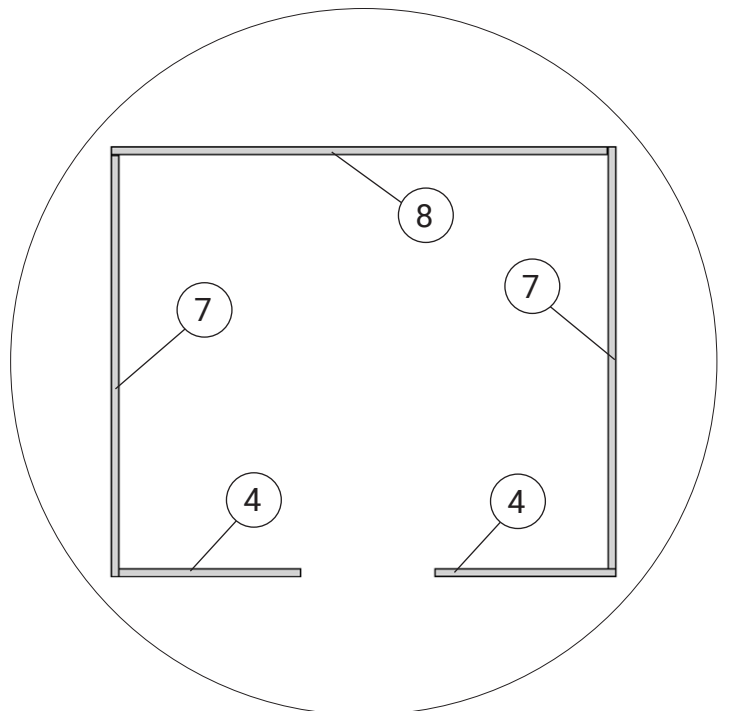
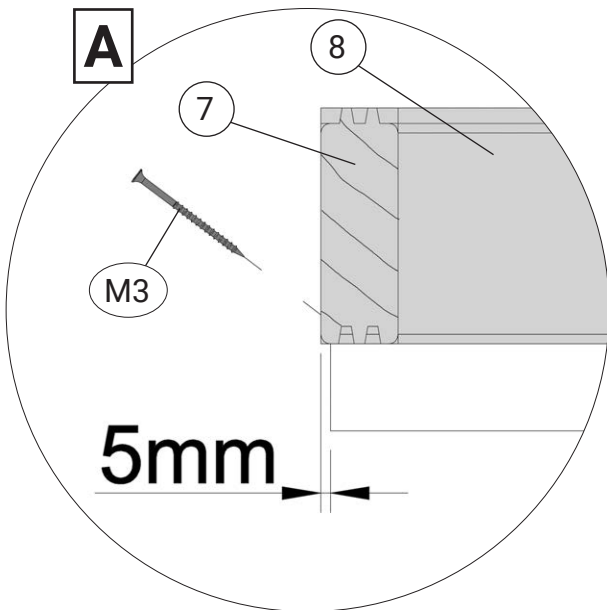
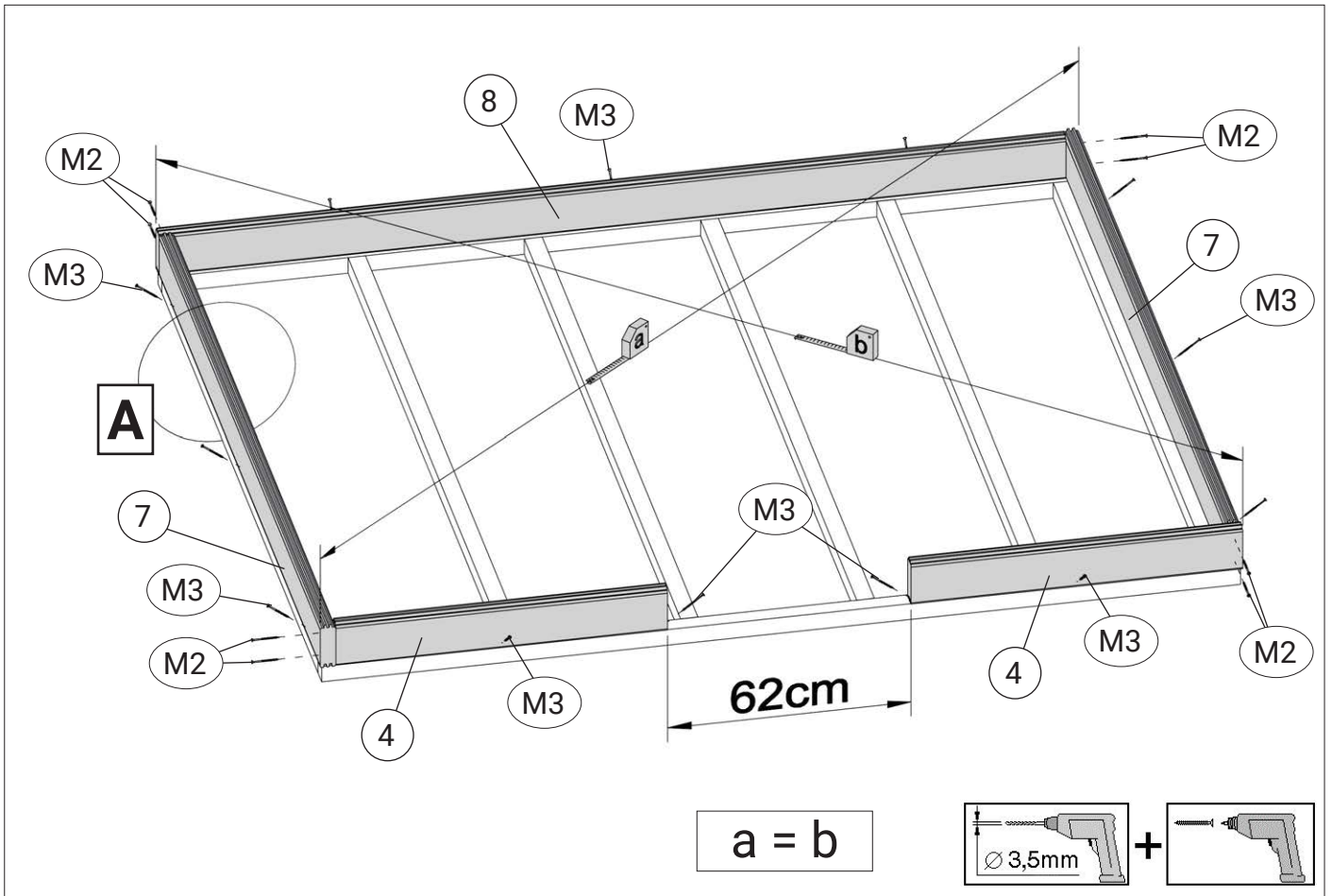
Art.-Nr.:	B	C
53420118X000	199cm	114cm
53420158X000	199cm	149cm
53420208X000	199cm	199cm

a = a




2

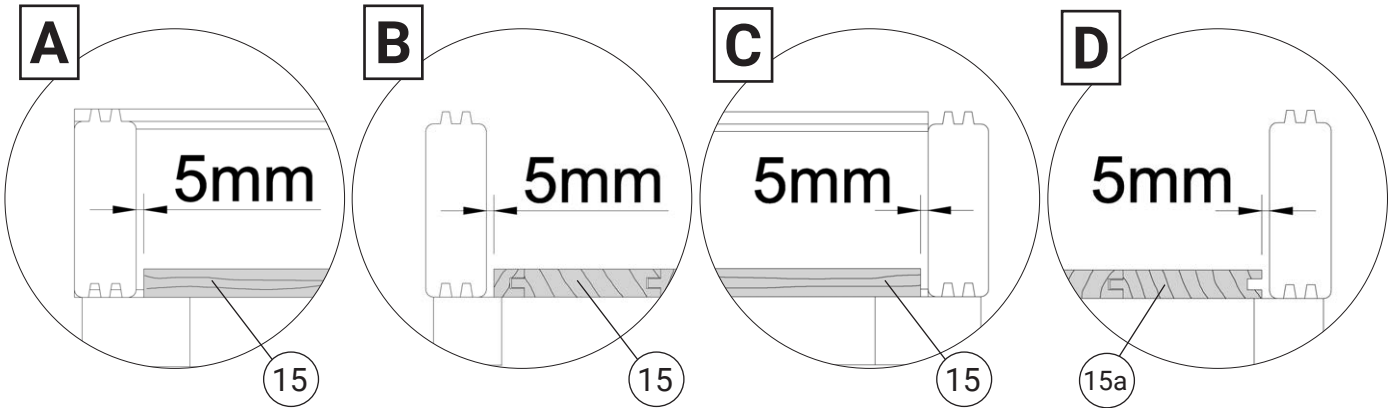
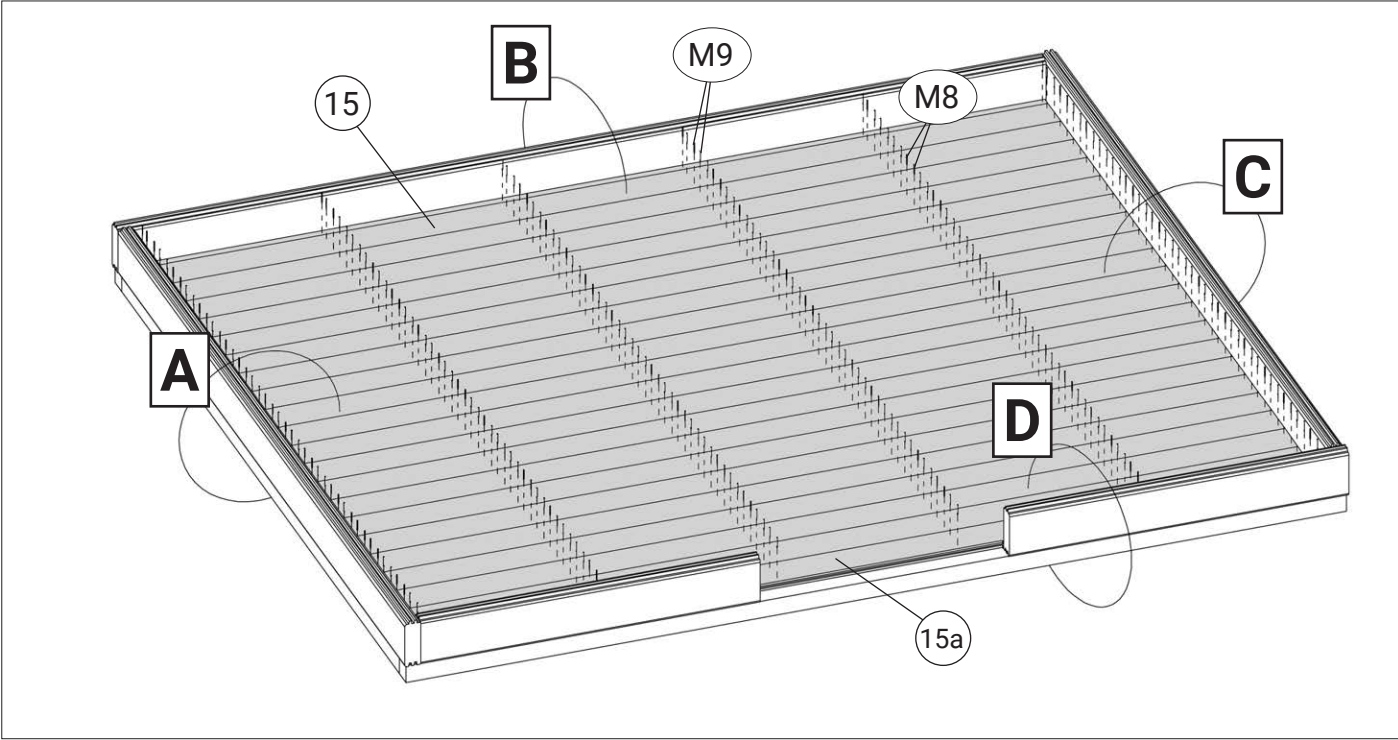
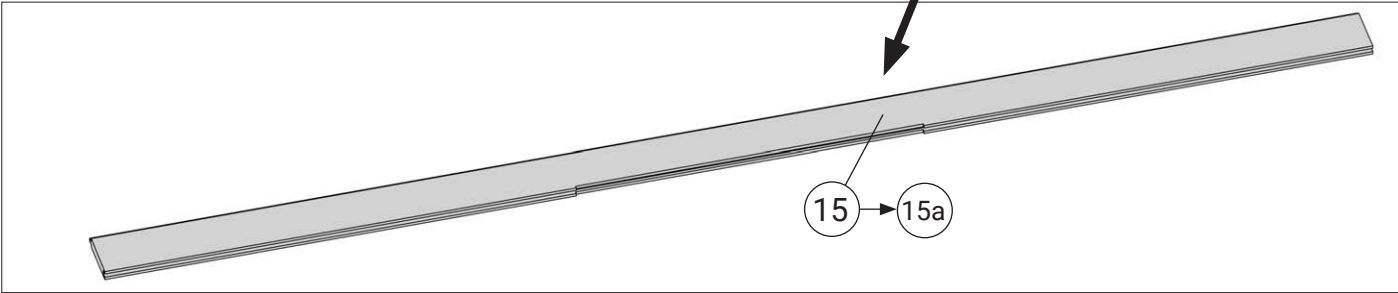
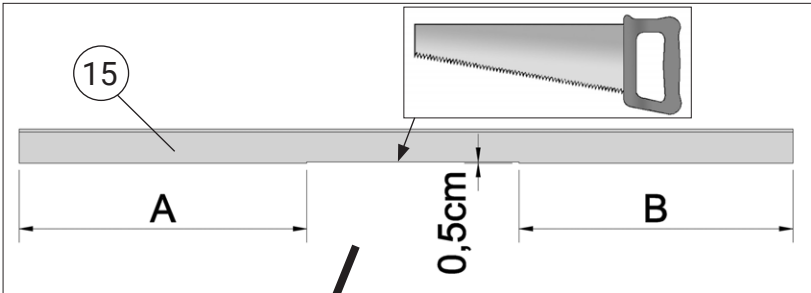
	M2 4,5 x 70
	M3 4,0 x 60



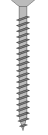
**3**

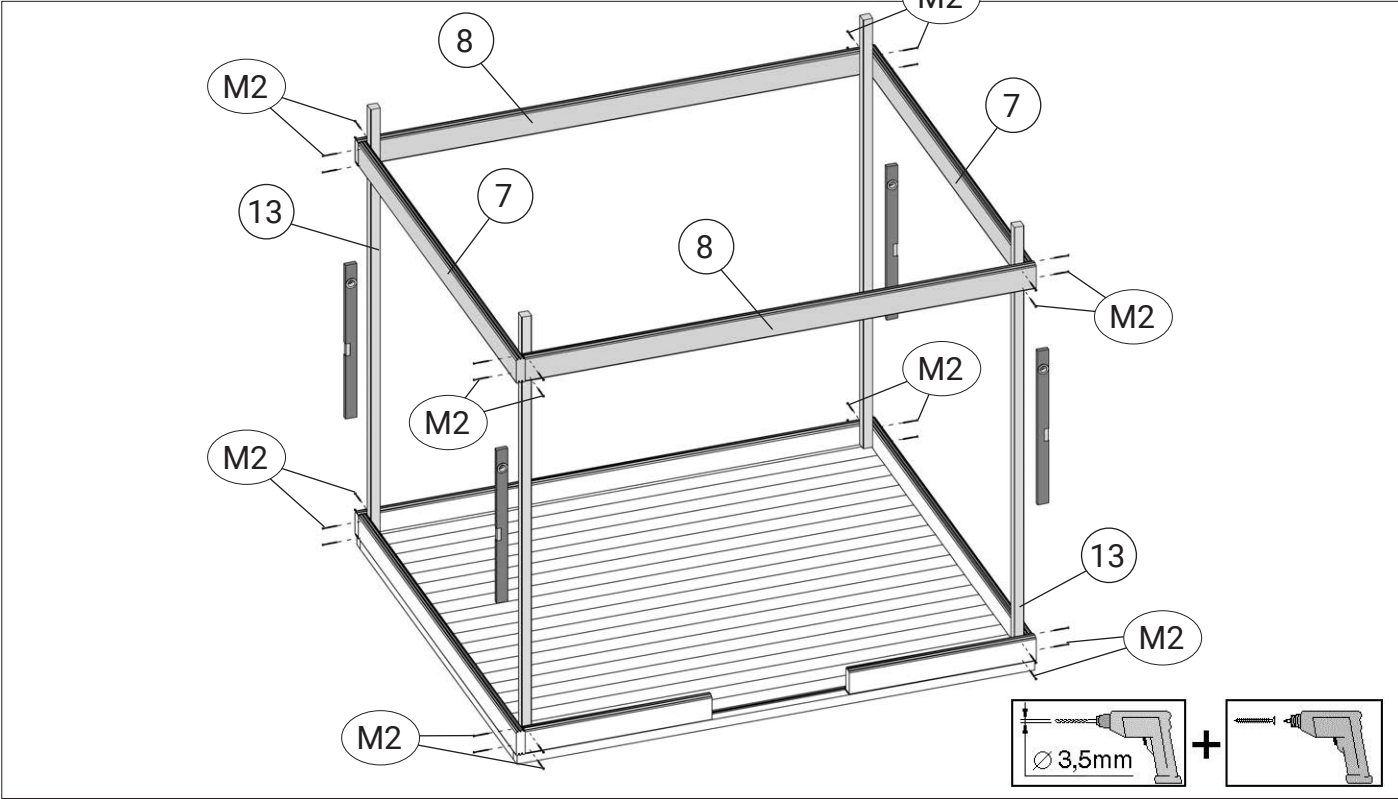
	M9	1,8 x 40

Art.-Nr.:	A	B
53420118X000	66,5cm	62,5cm
53420158X000	66,5cm	62,5cm
53420208X000	66,5cm	62,5cm
53424208X000	84cm	80cm

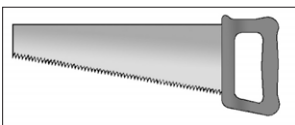



4

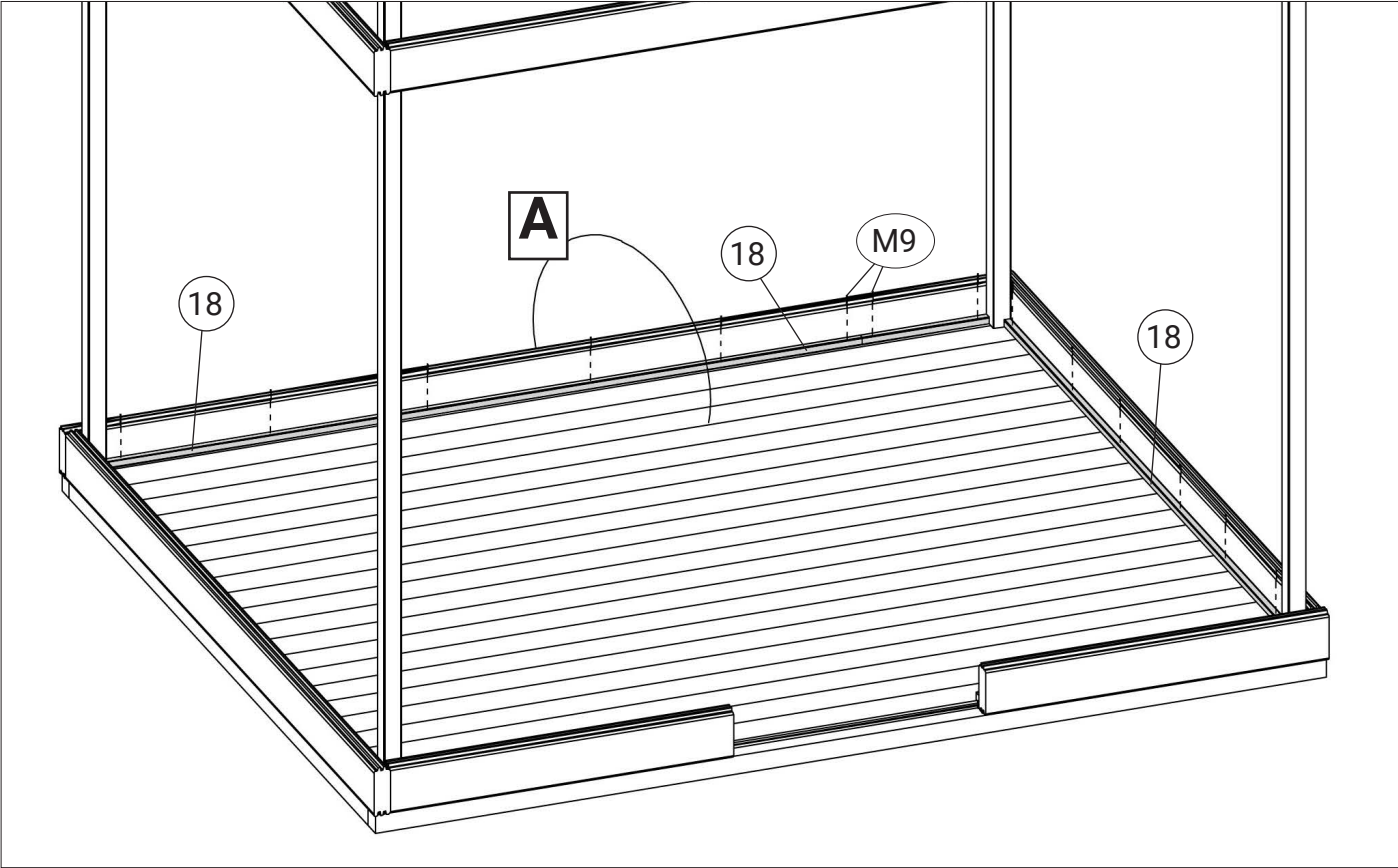
	M2 4,5 x 70
------------------------------------------------------------------------------------	-------------



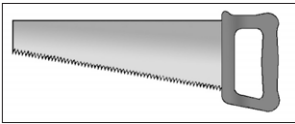
5.1



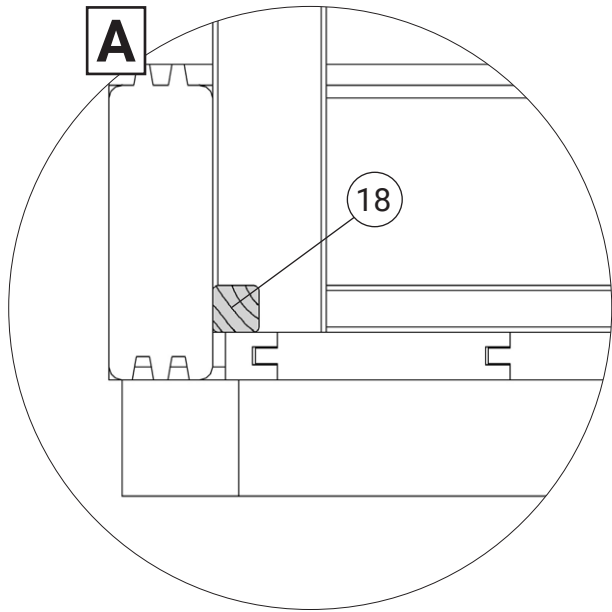
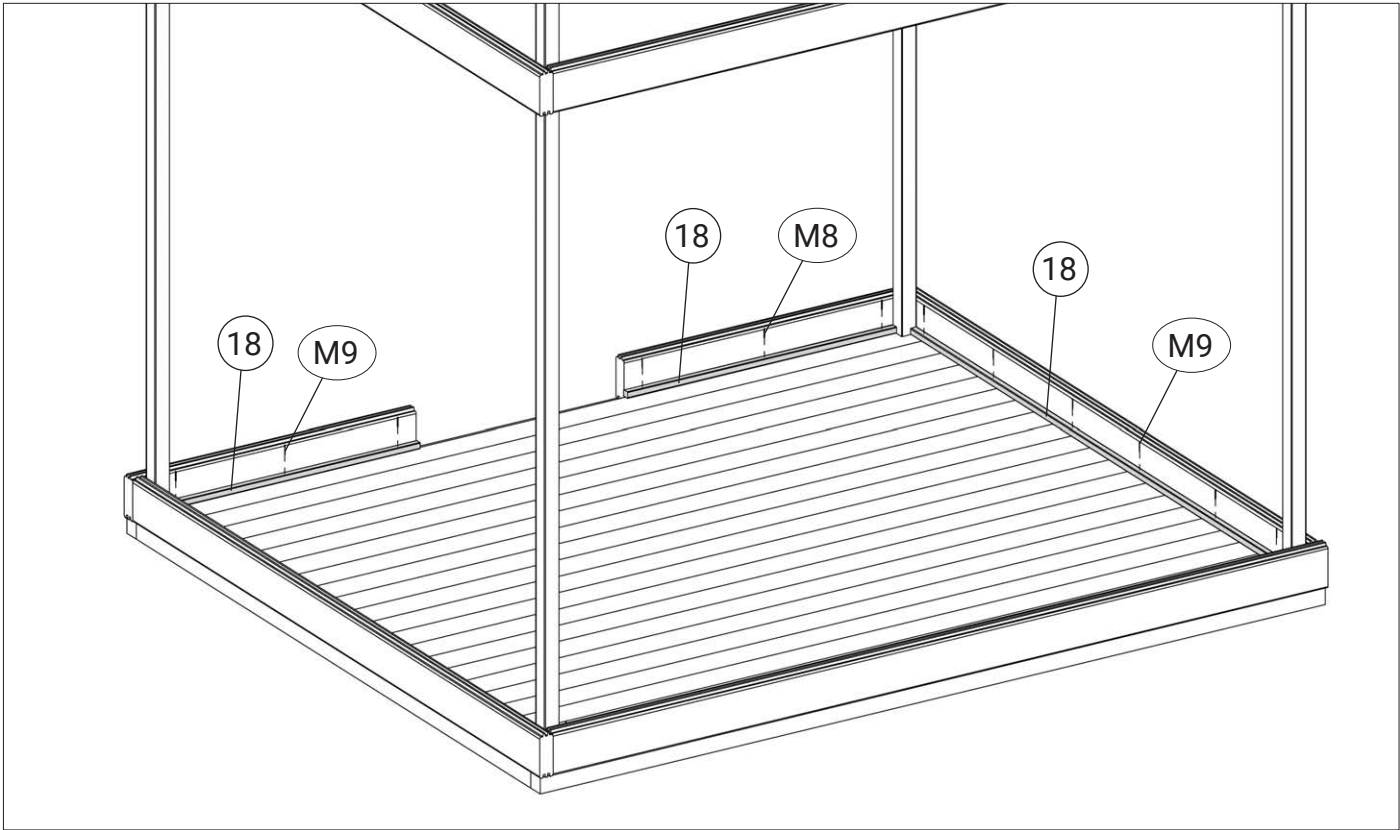
	M9 1,8 x 40
---------------------------------------------------------------------------------------	-------------



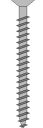
# 5.2

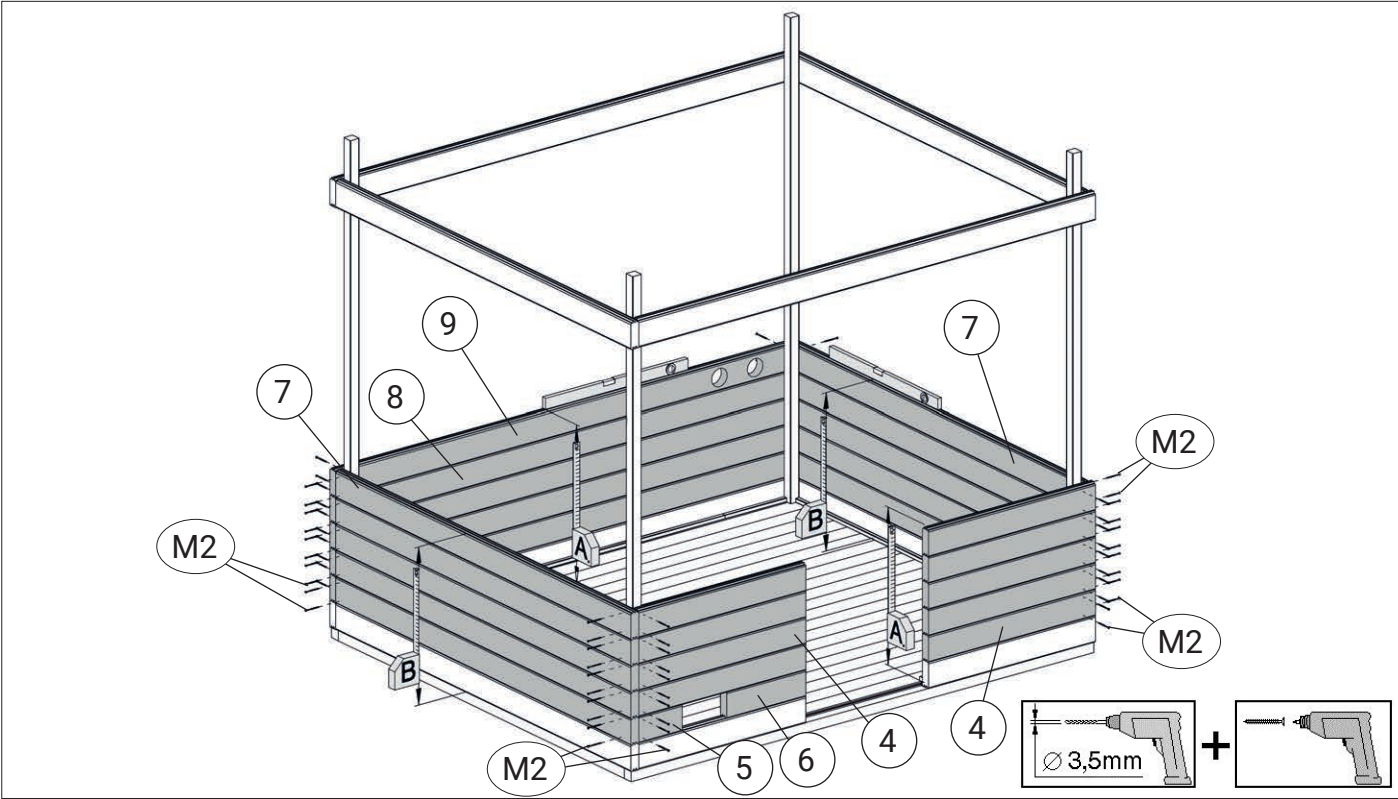


M9 1,8 x 40

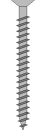


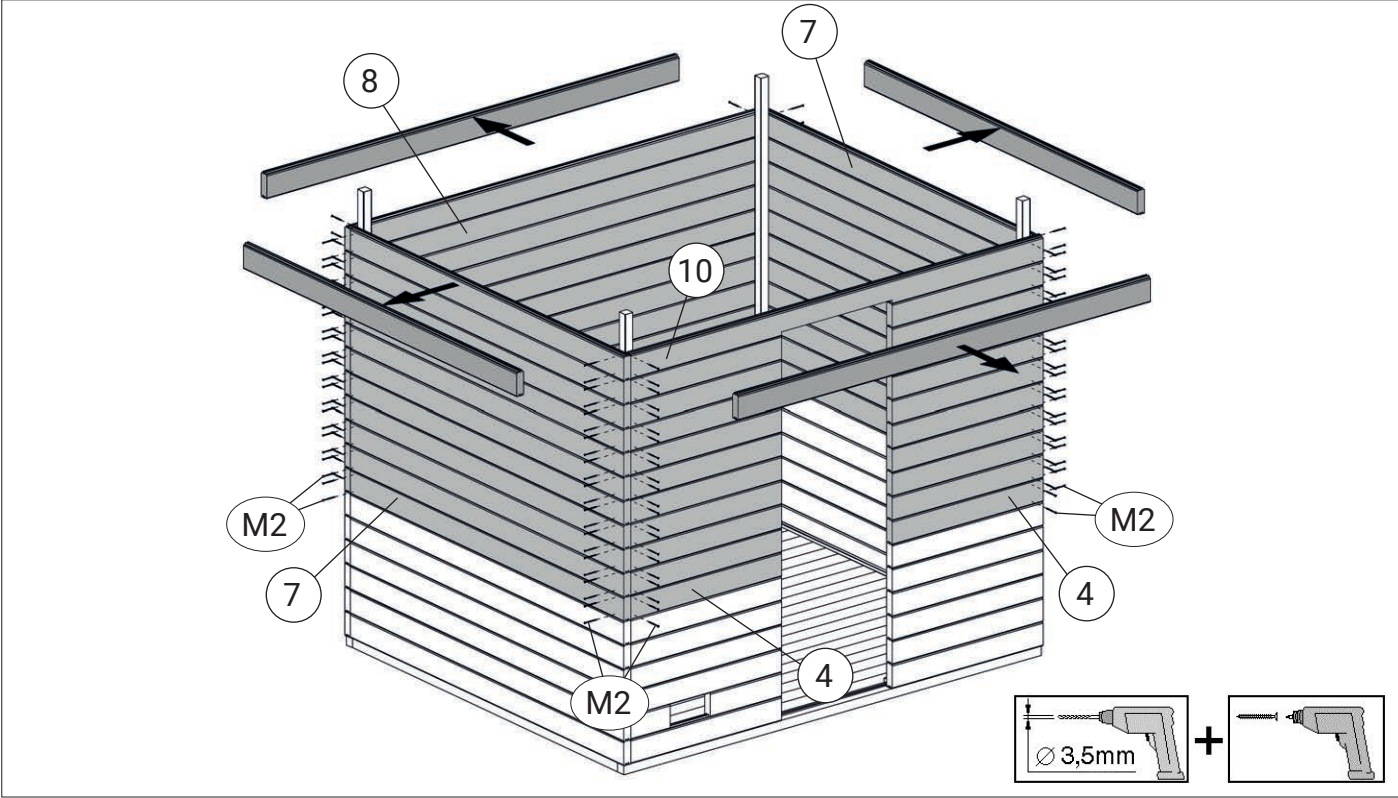
6

	M2 4,5 x 70
------------------------------------------------------------------------------------	-------------

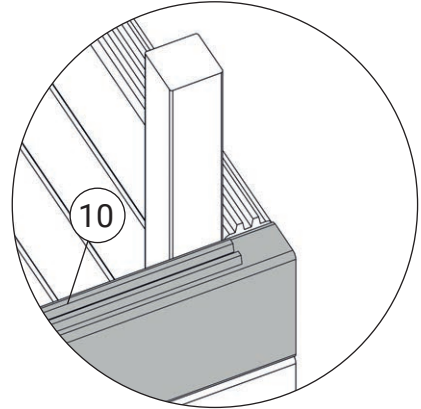
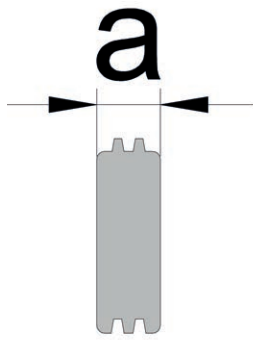
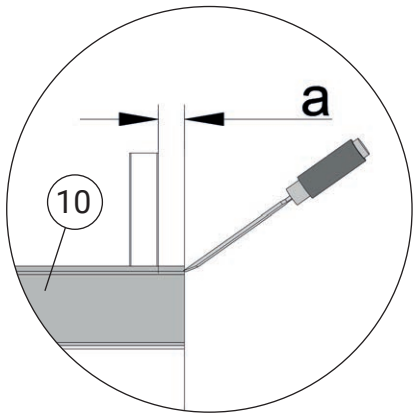
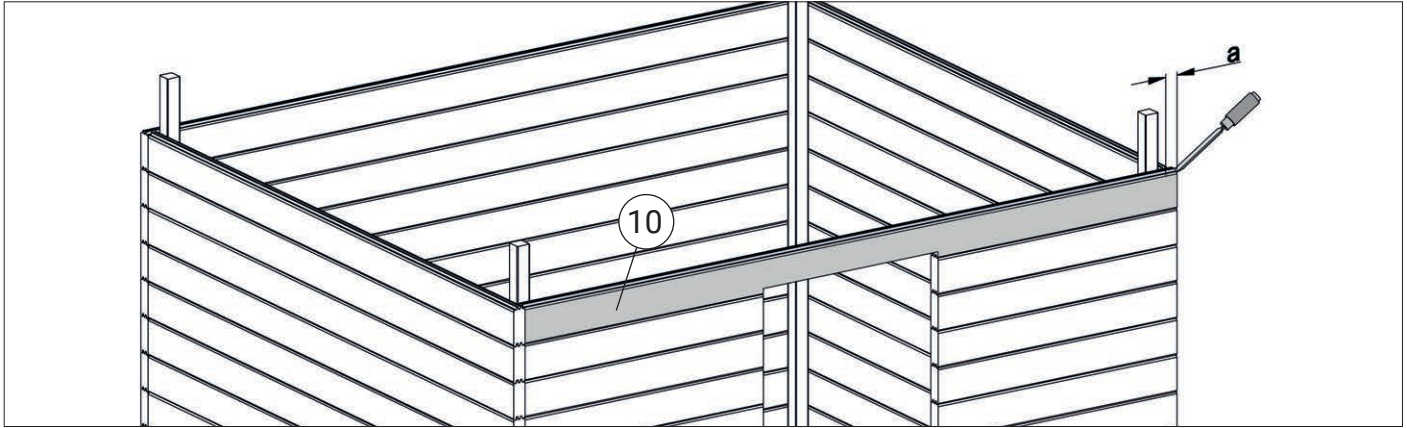


7

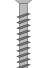
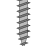
	M2 4,5 x 70
---------------------------------------------------------------------------------------	-------------

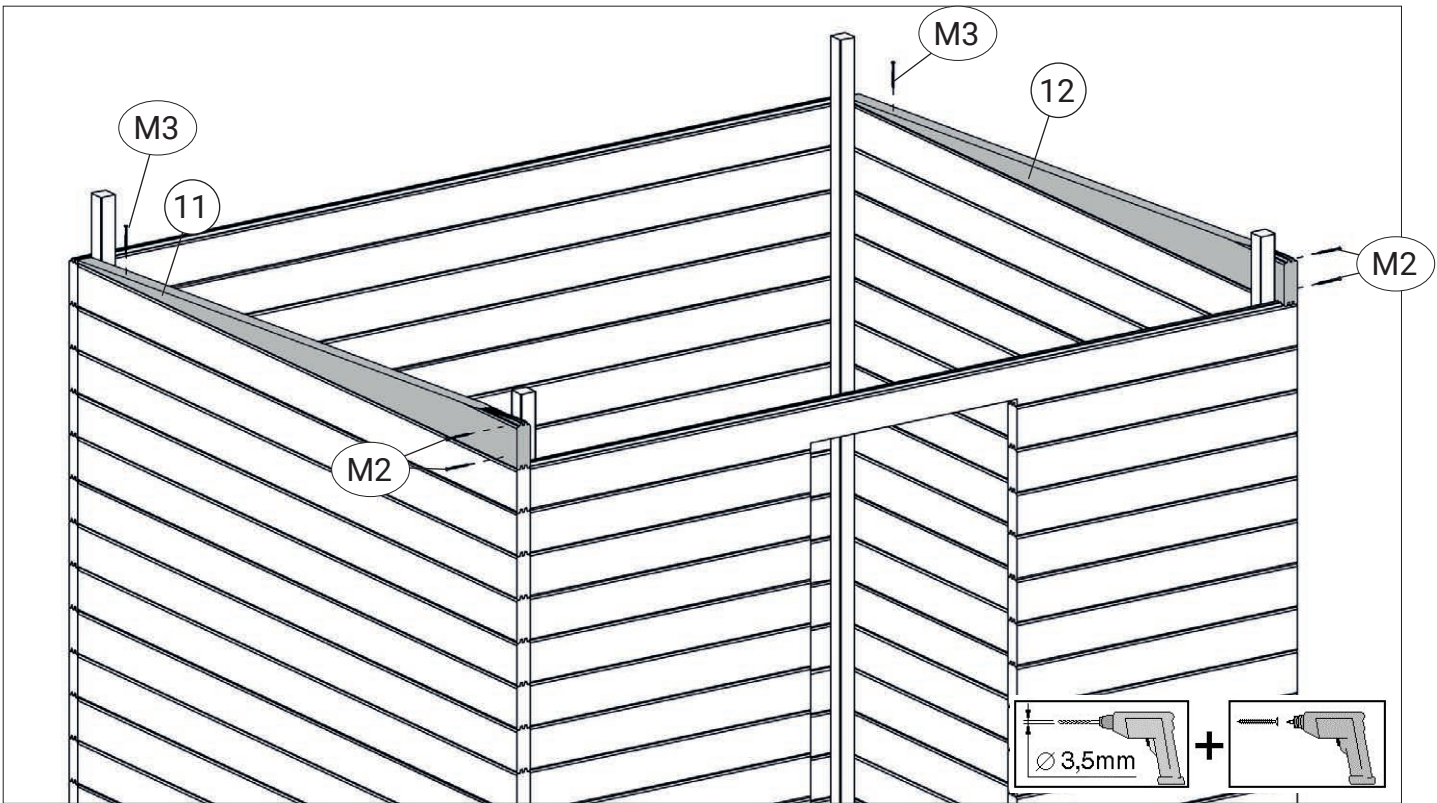


# 8.1

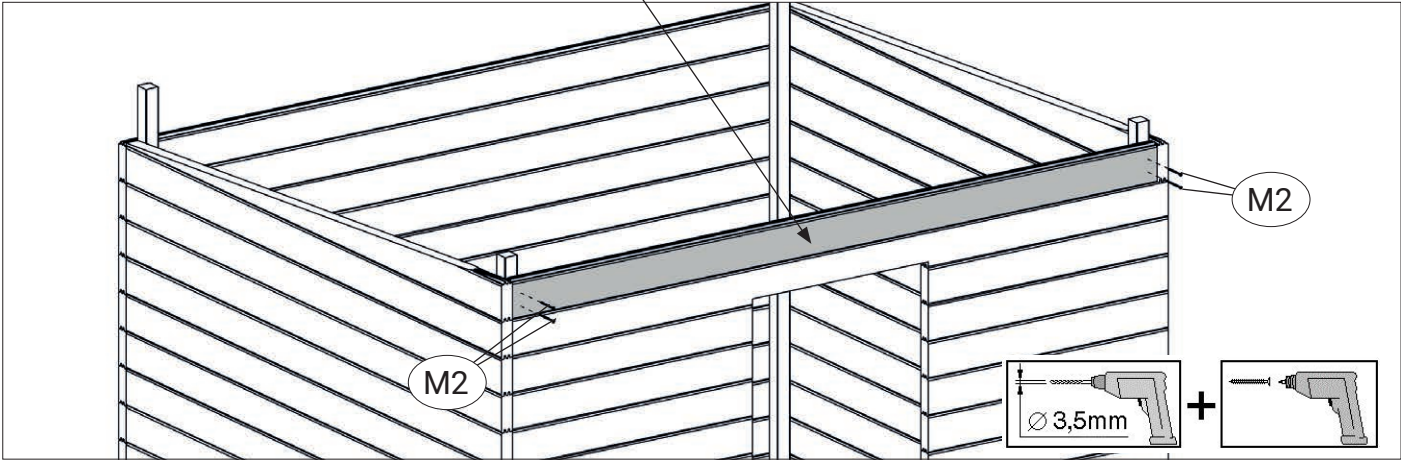
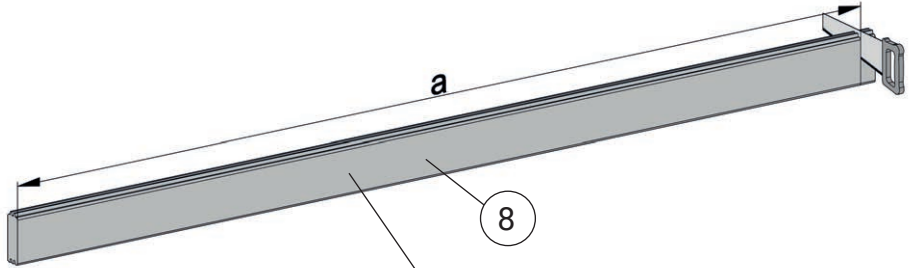
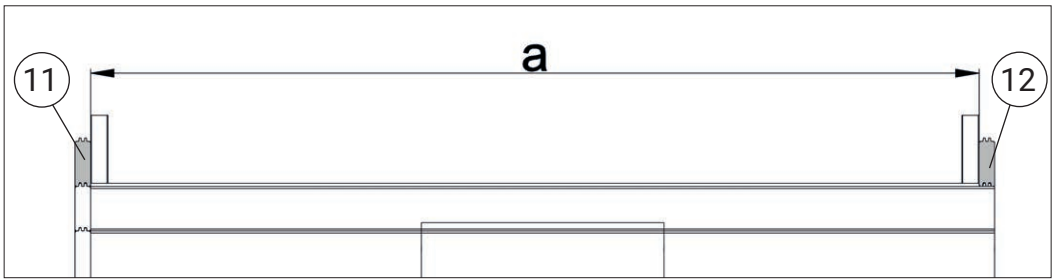


# 8.2

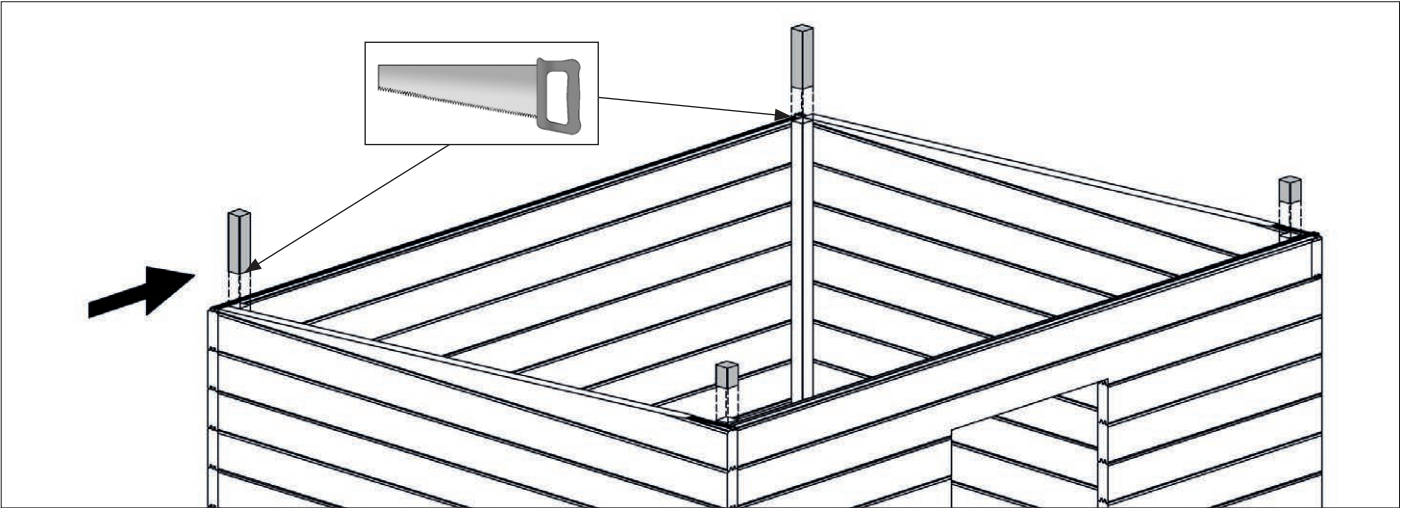
	M2	4,5 x 70
	M3	4,0 x 60



8.3

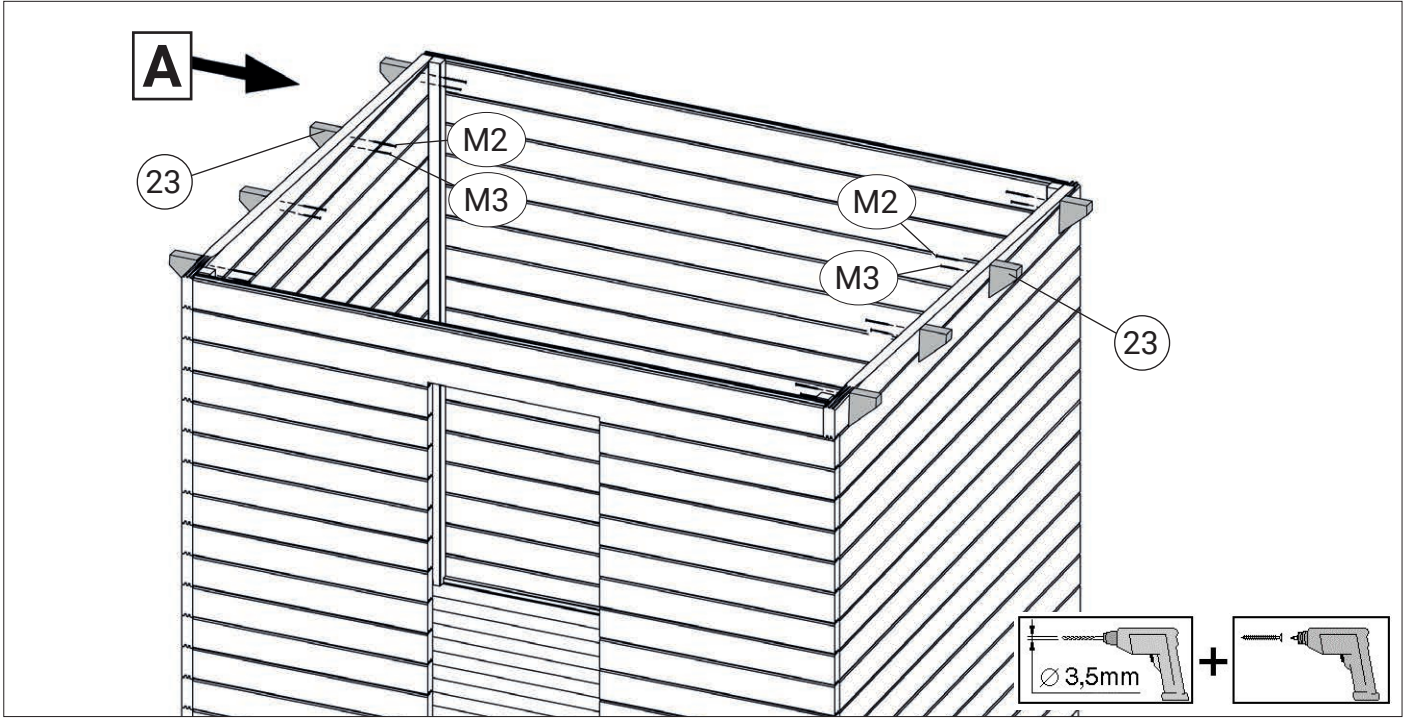


9

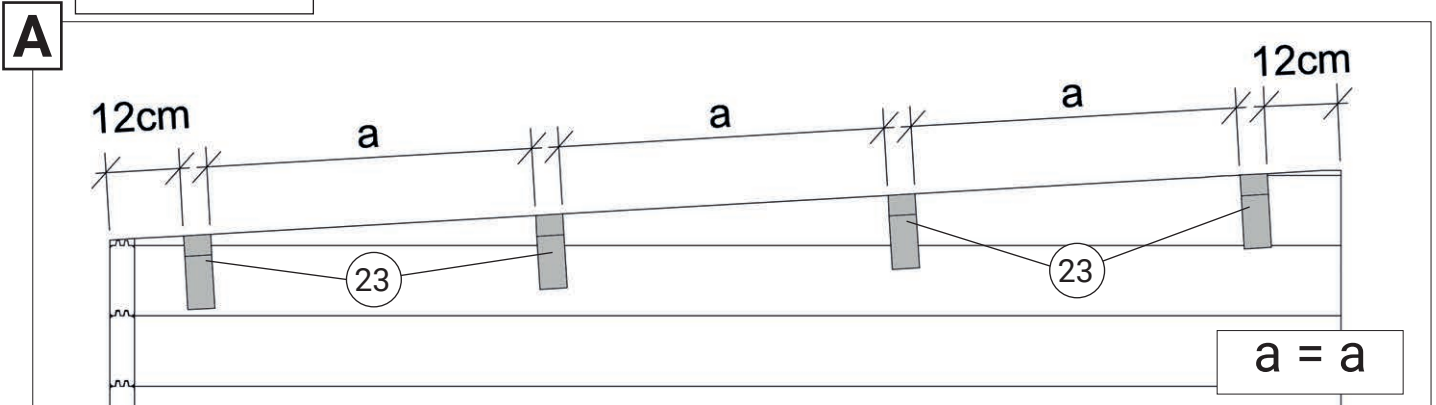


10

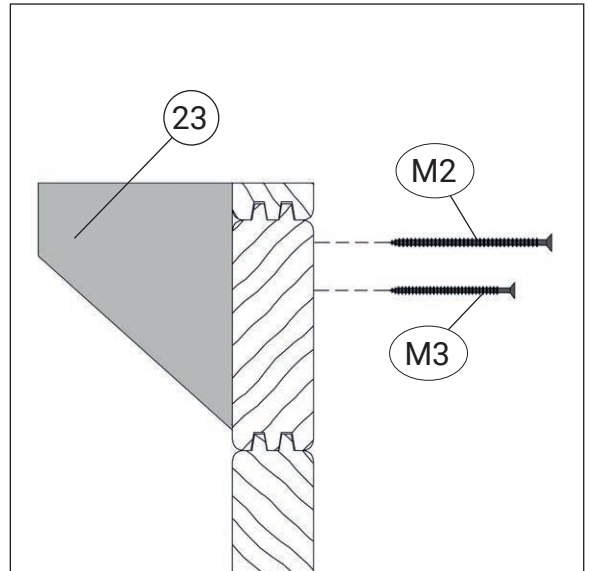
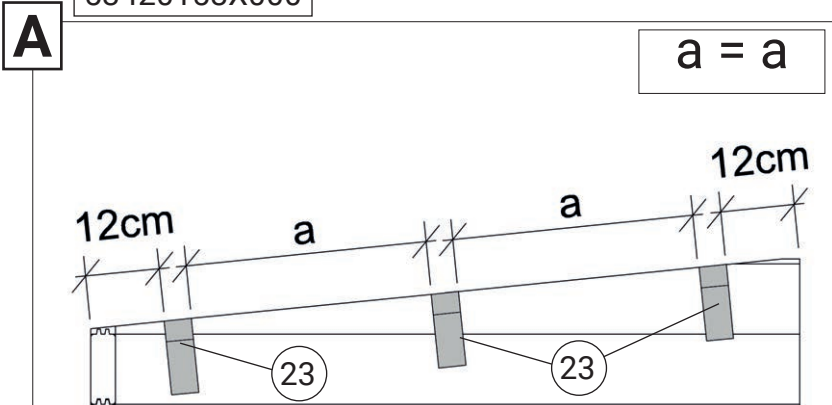
	M2	4,5 x 70
	M3	4,0 x 60



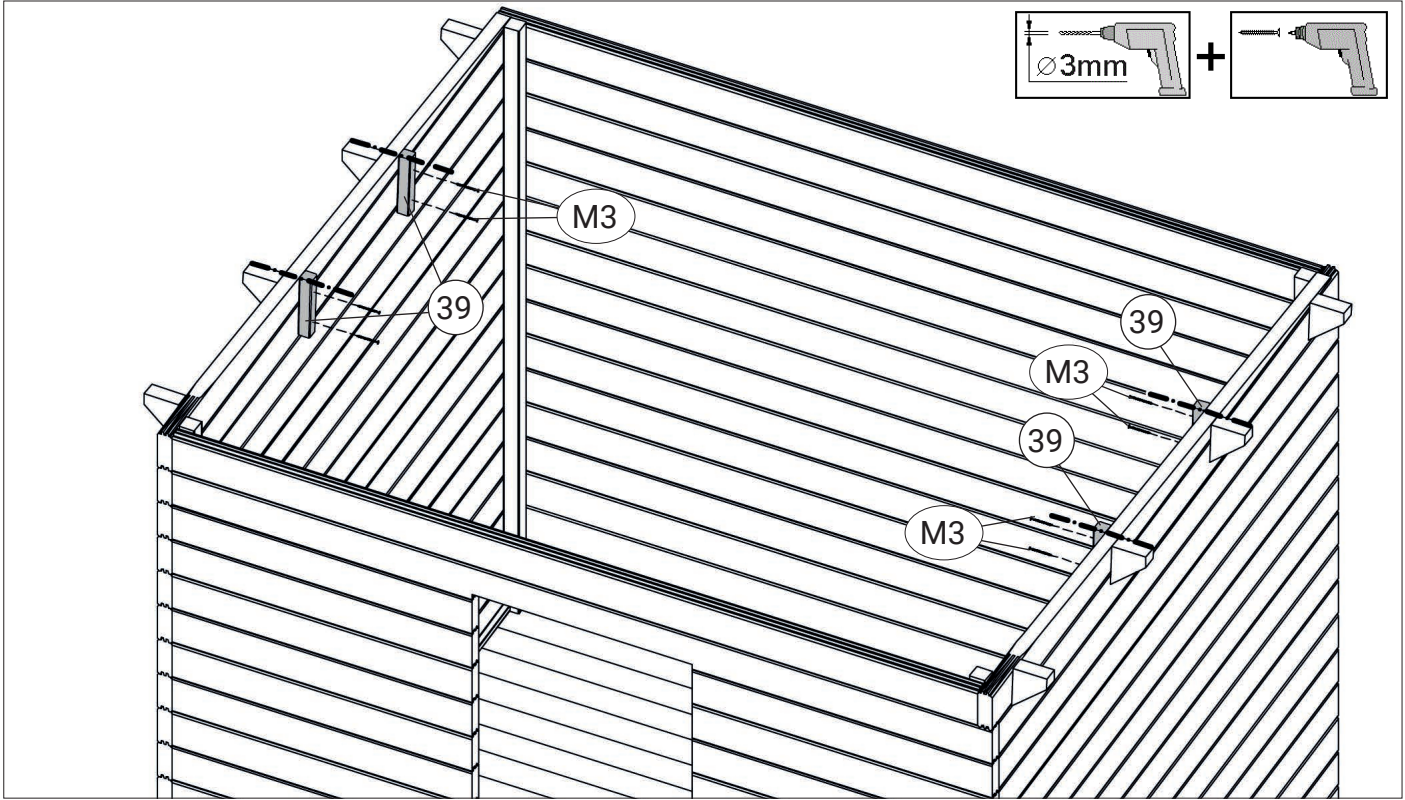
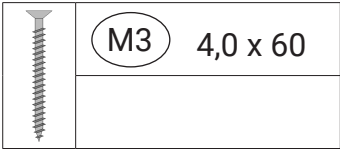
53420208X000  
53424208X000



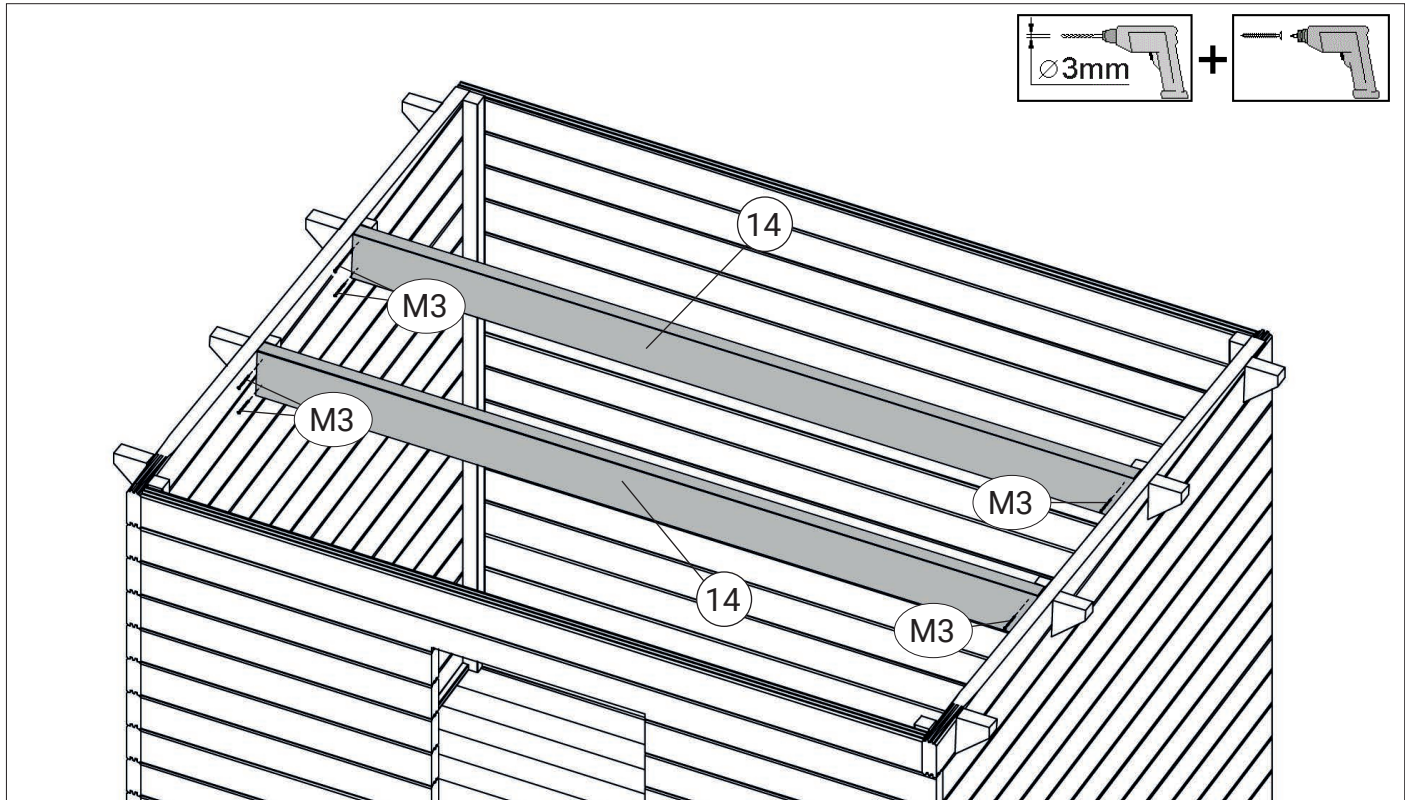
53420118X000  
53420158X000



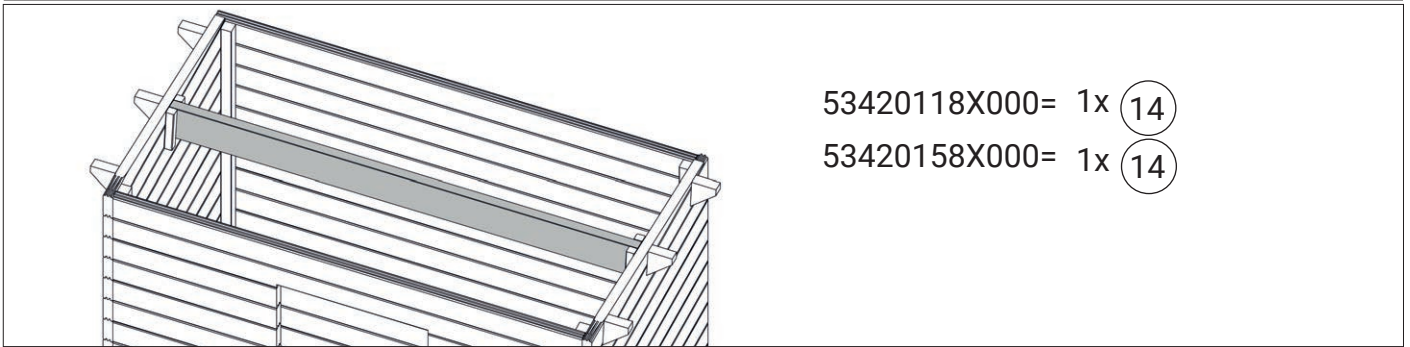
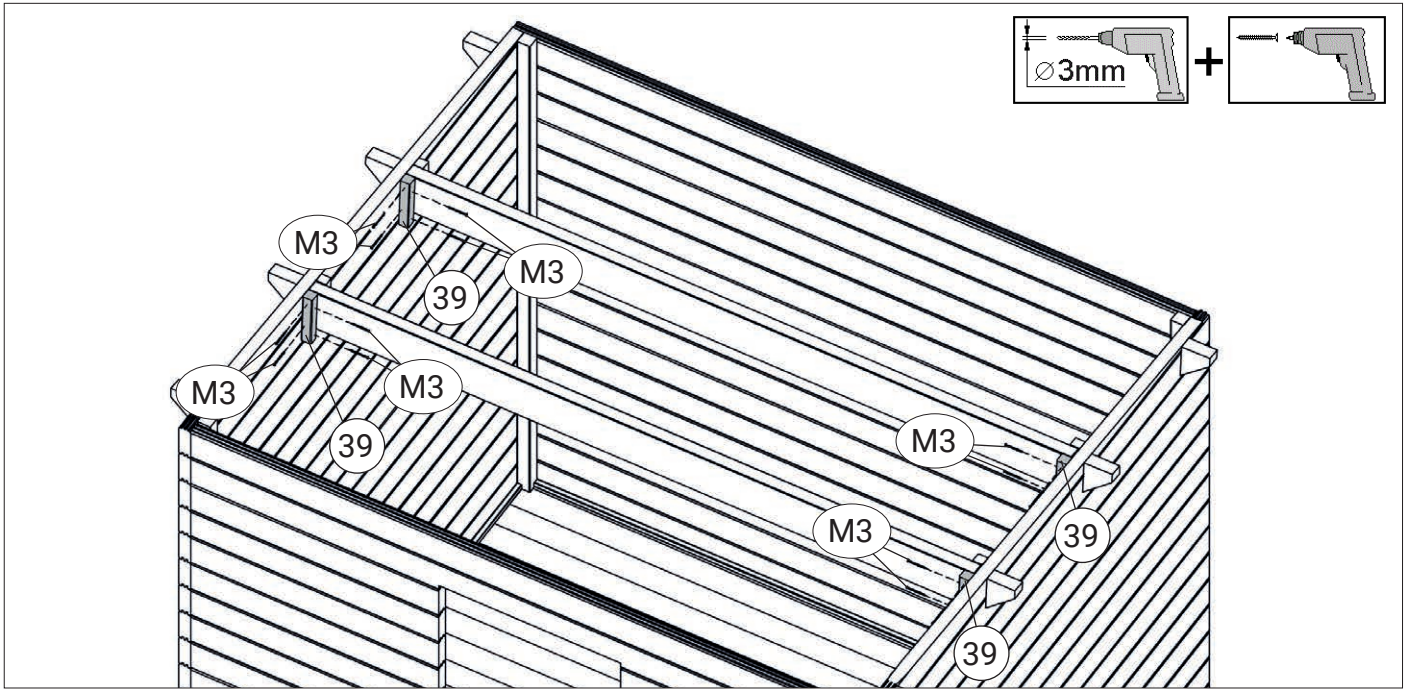
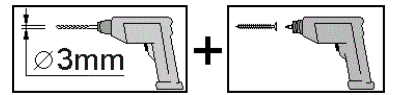
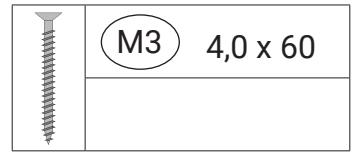
11



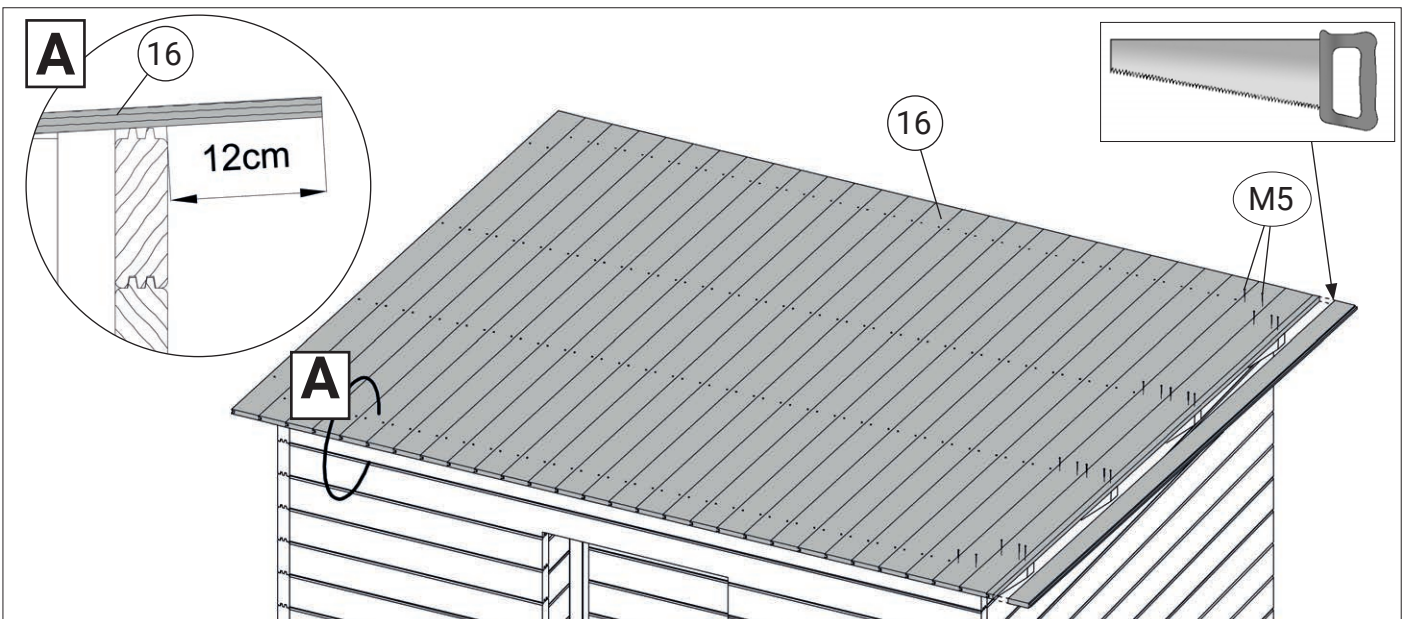
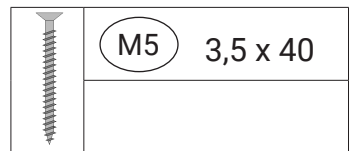
12



13

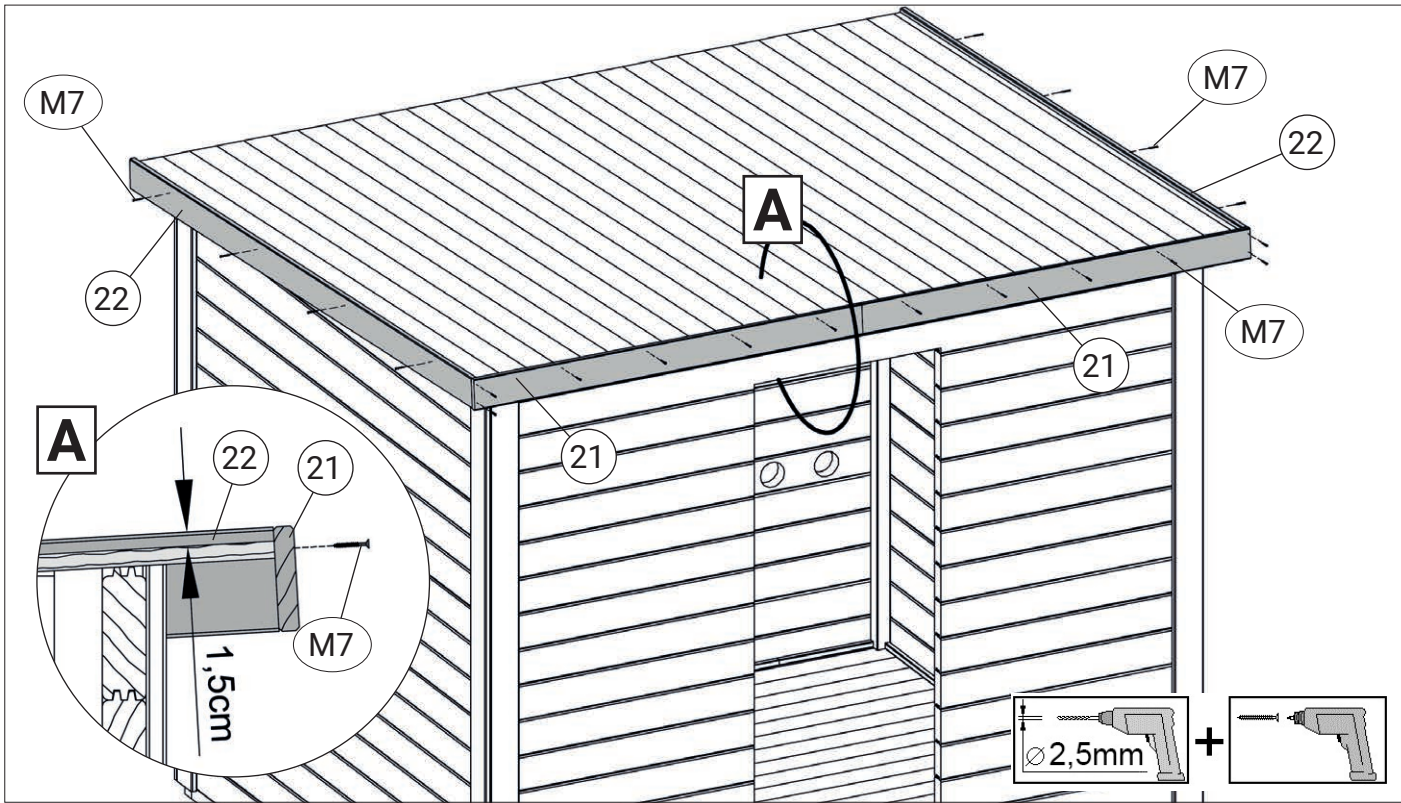
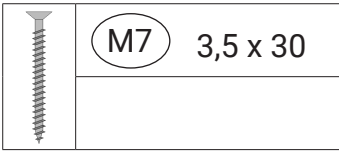
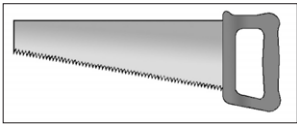


14

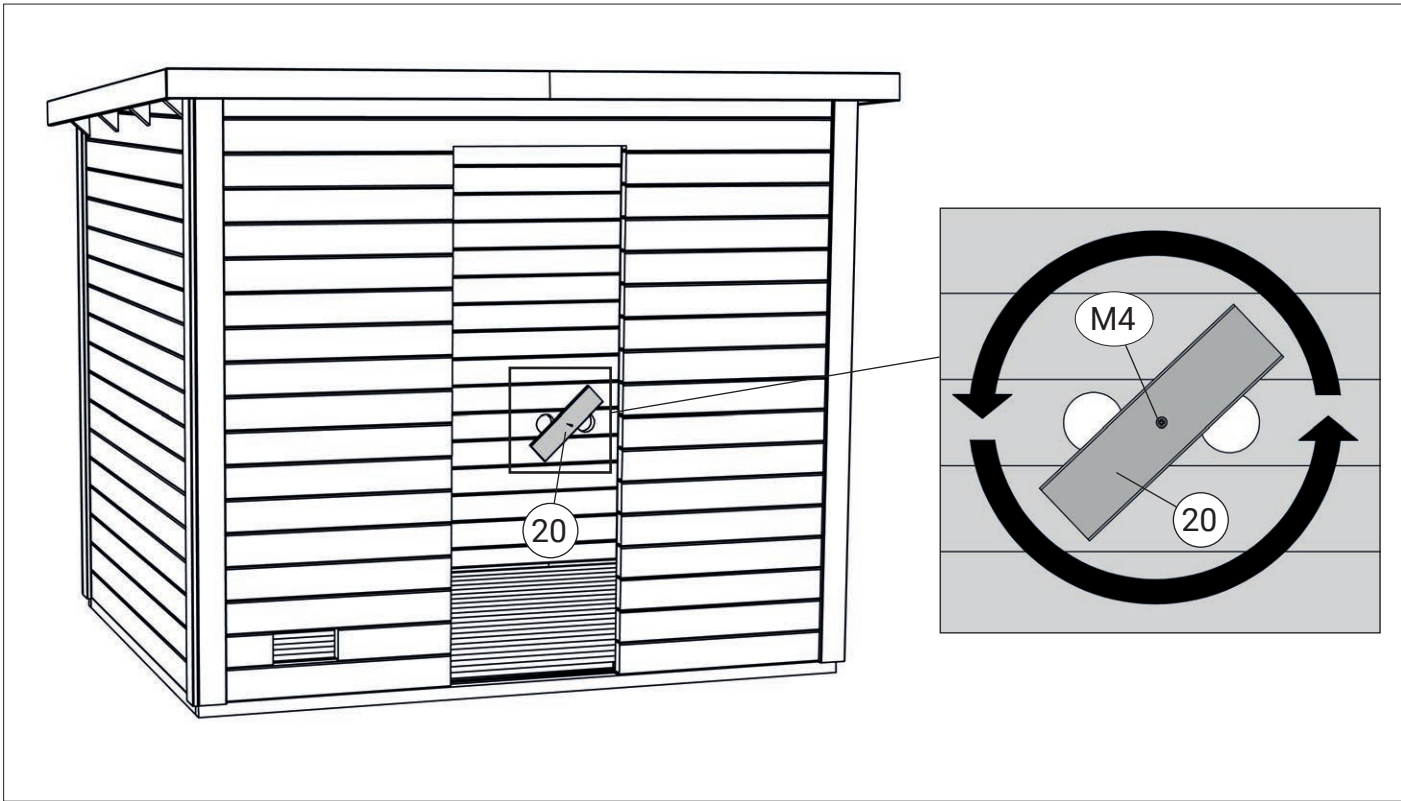
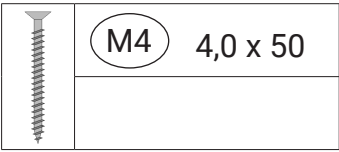





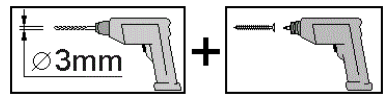
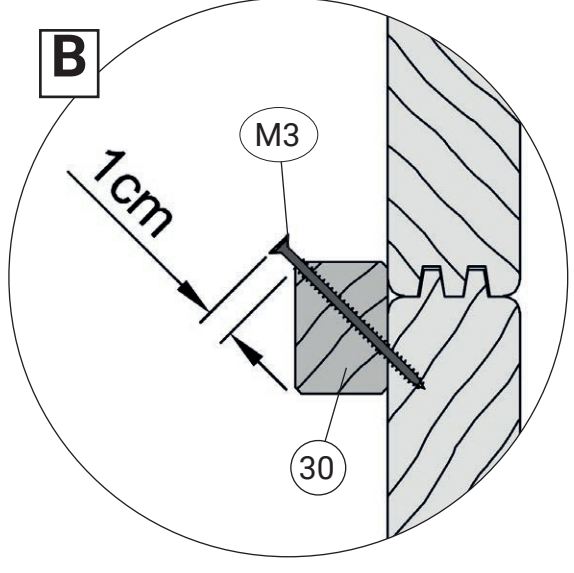
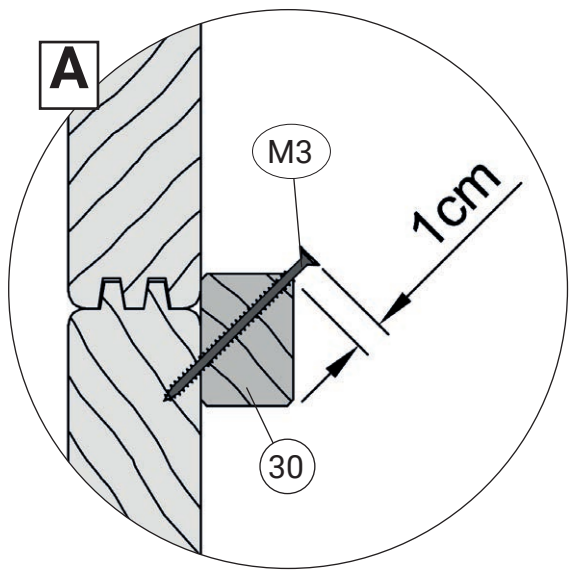
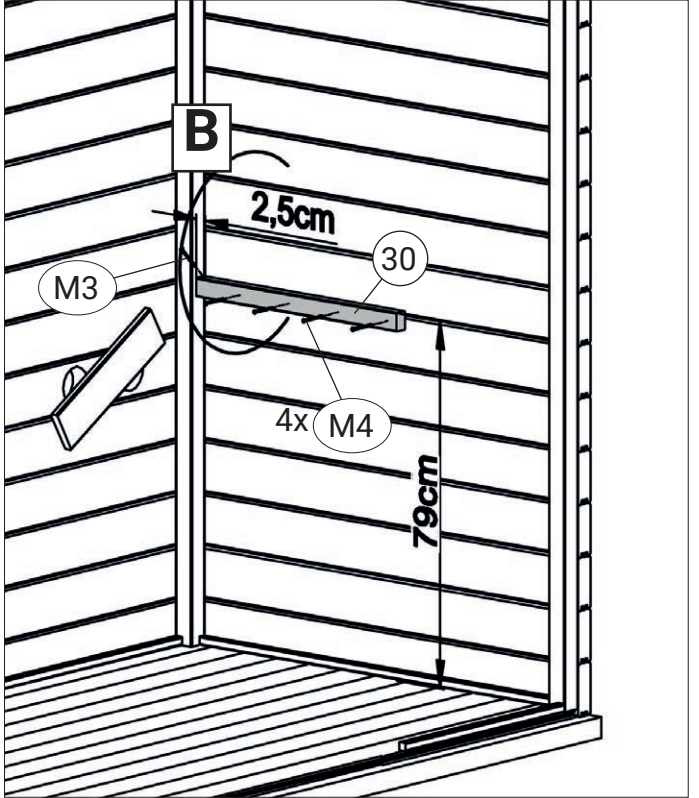
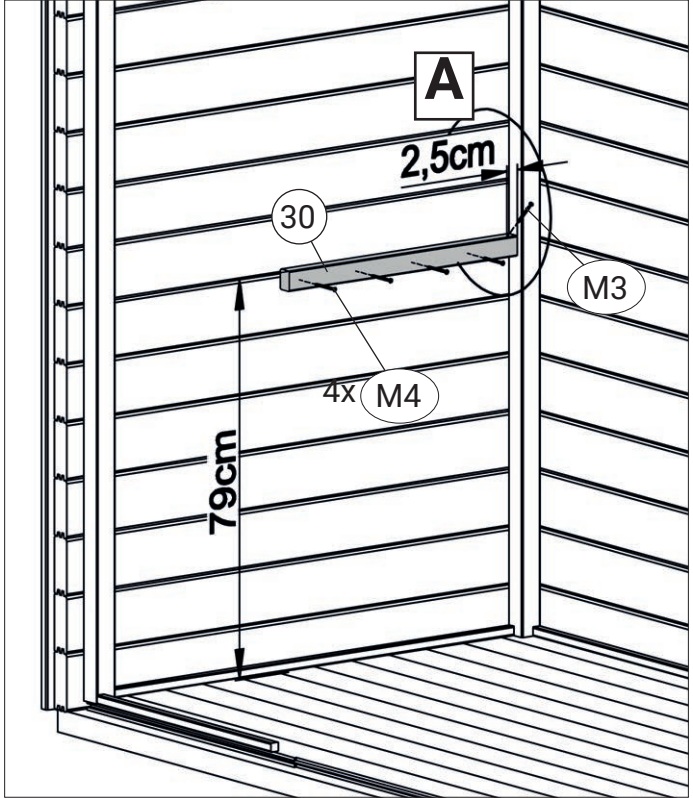
16



17




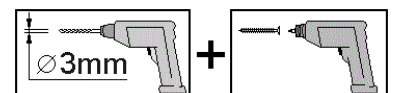
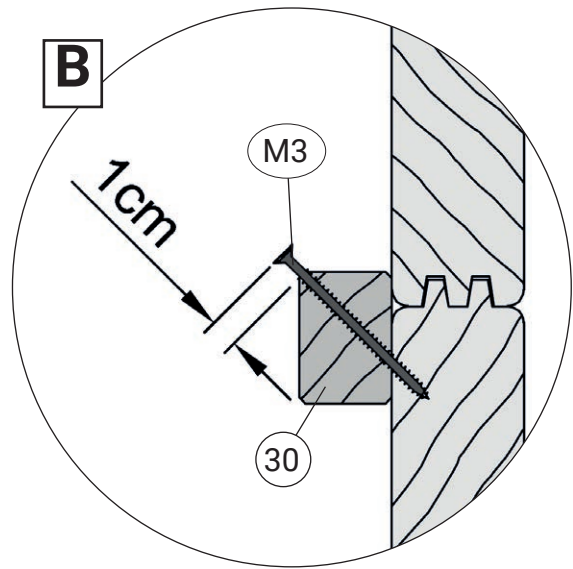
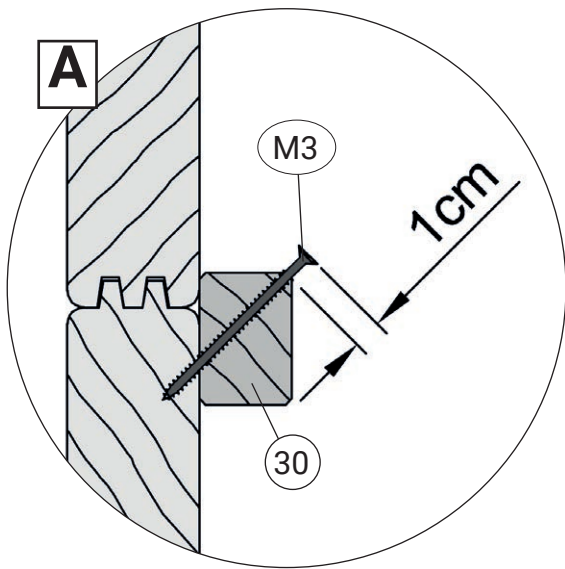
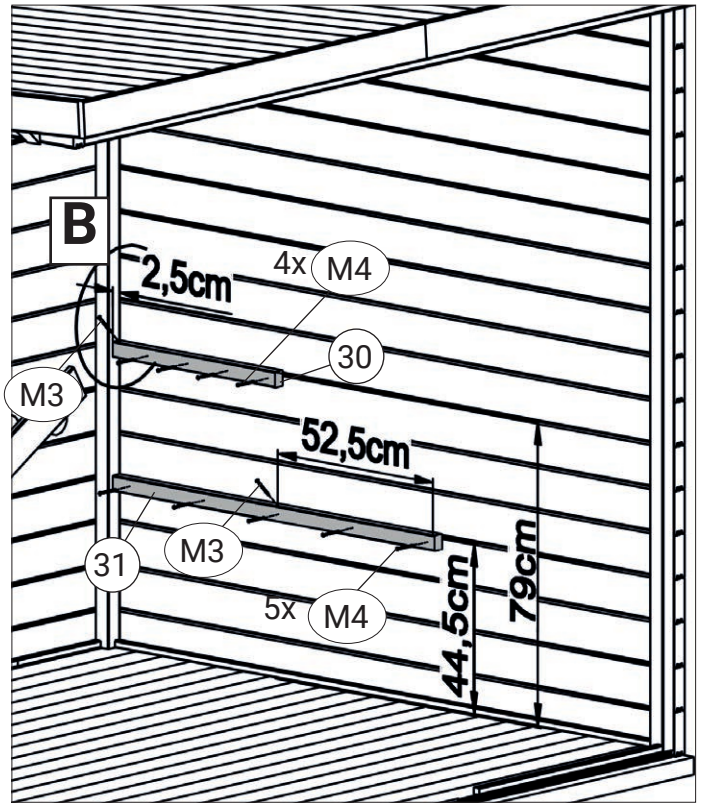
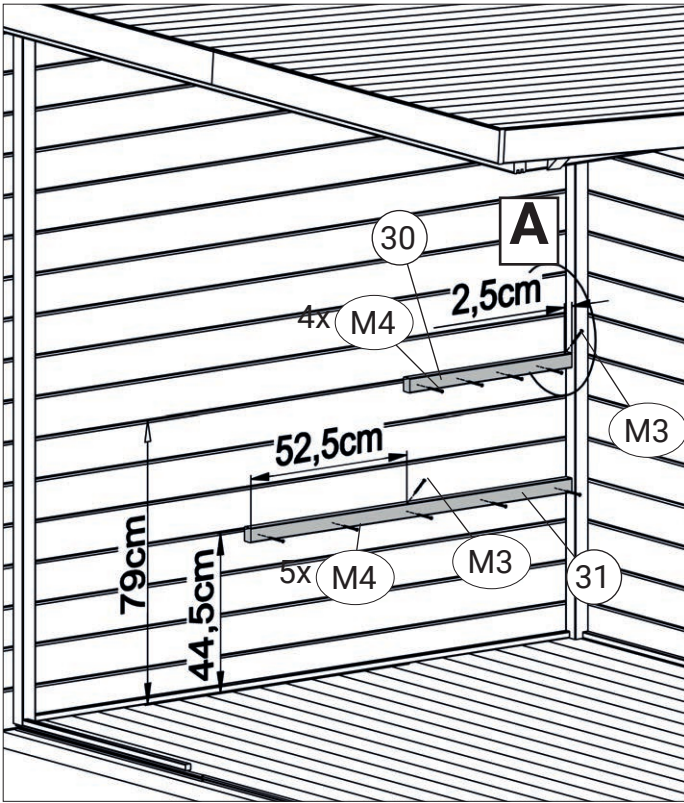
	M3	4,0 x 60
	M4	4,0 x 50



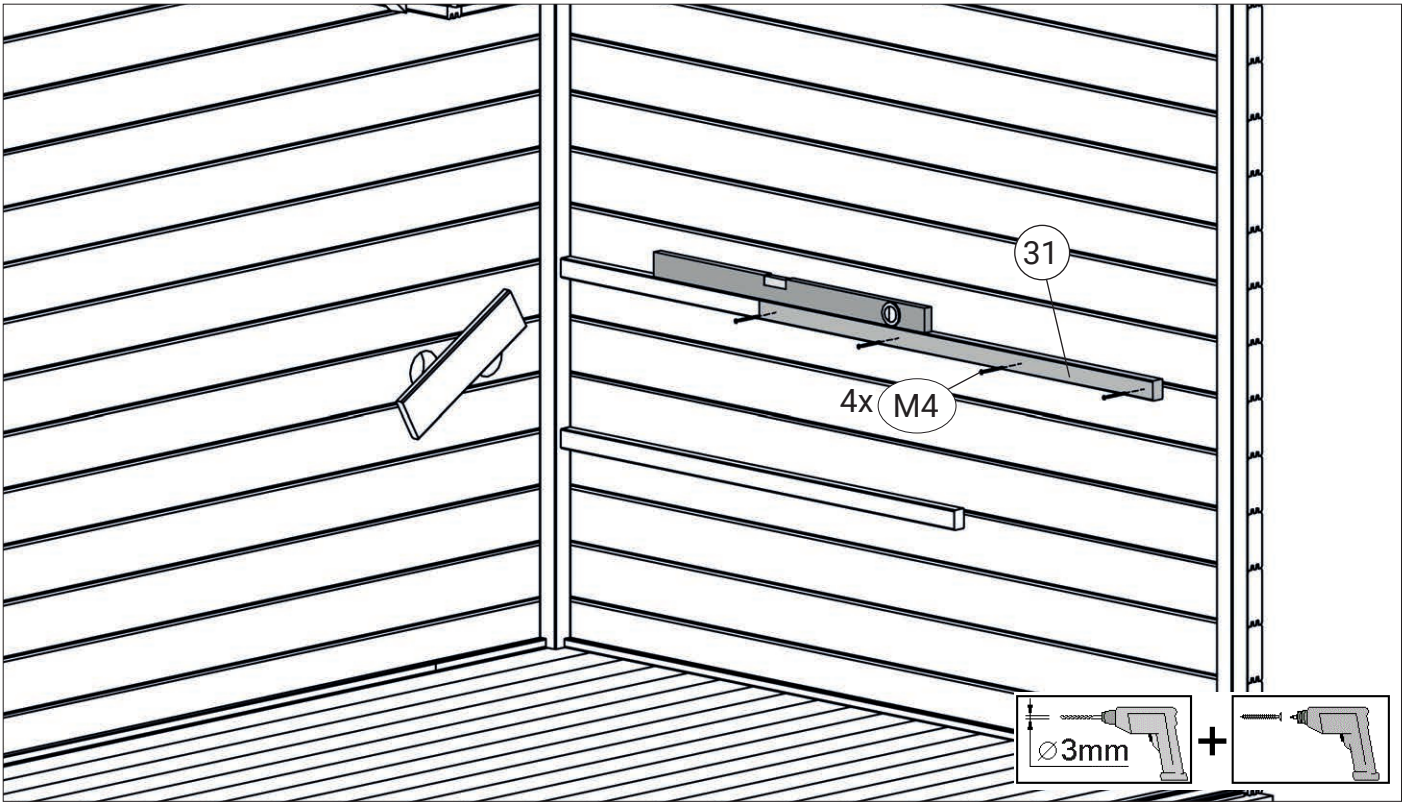
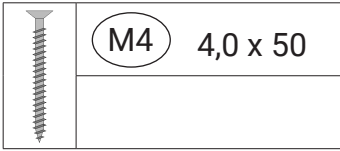
18

53420158X000  
53420208X000  
53424208X000

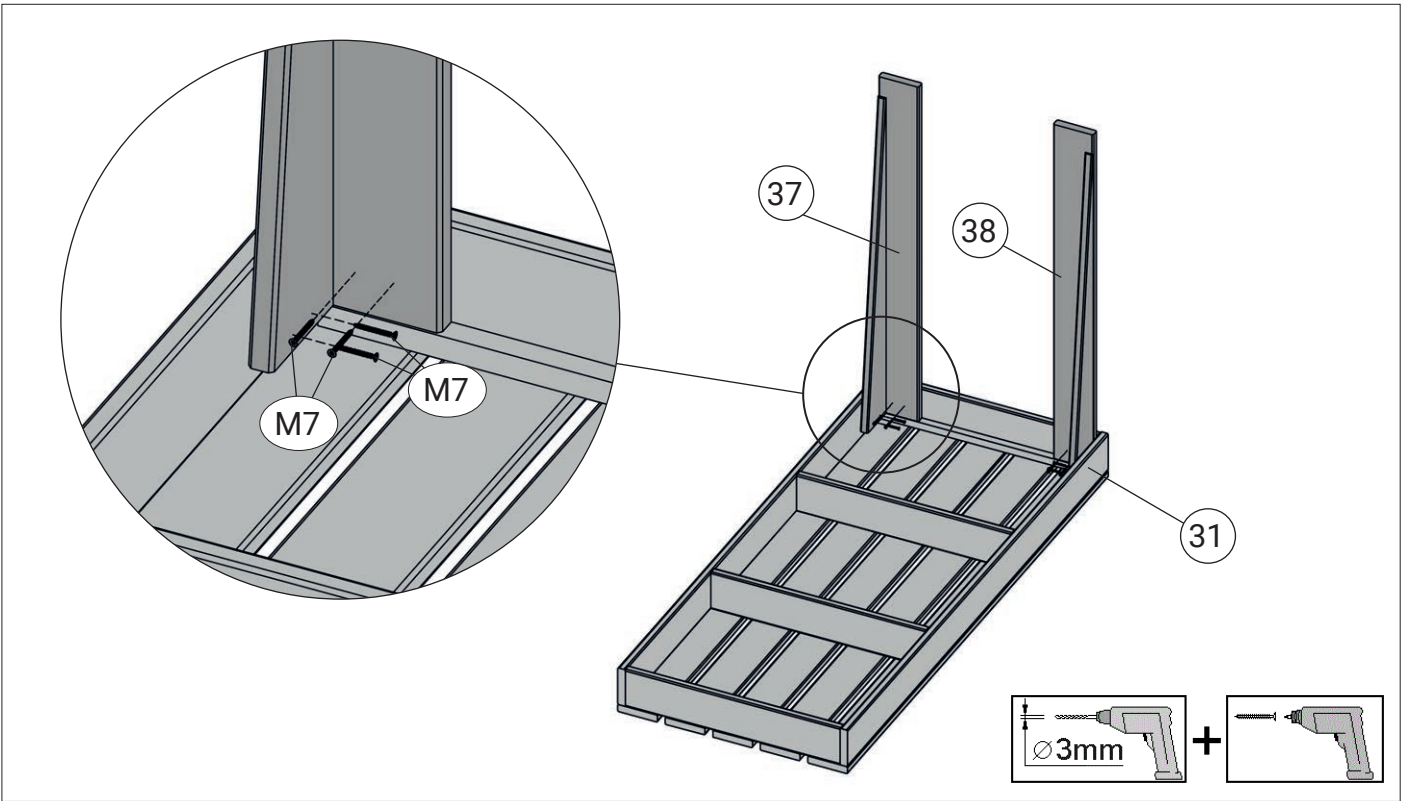
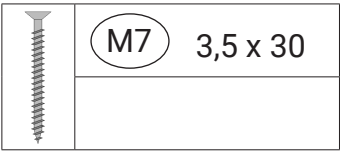
	M3	4,0 x 60
	M4	4,0 x 50



**19** 53424208X000

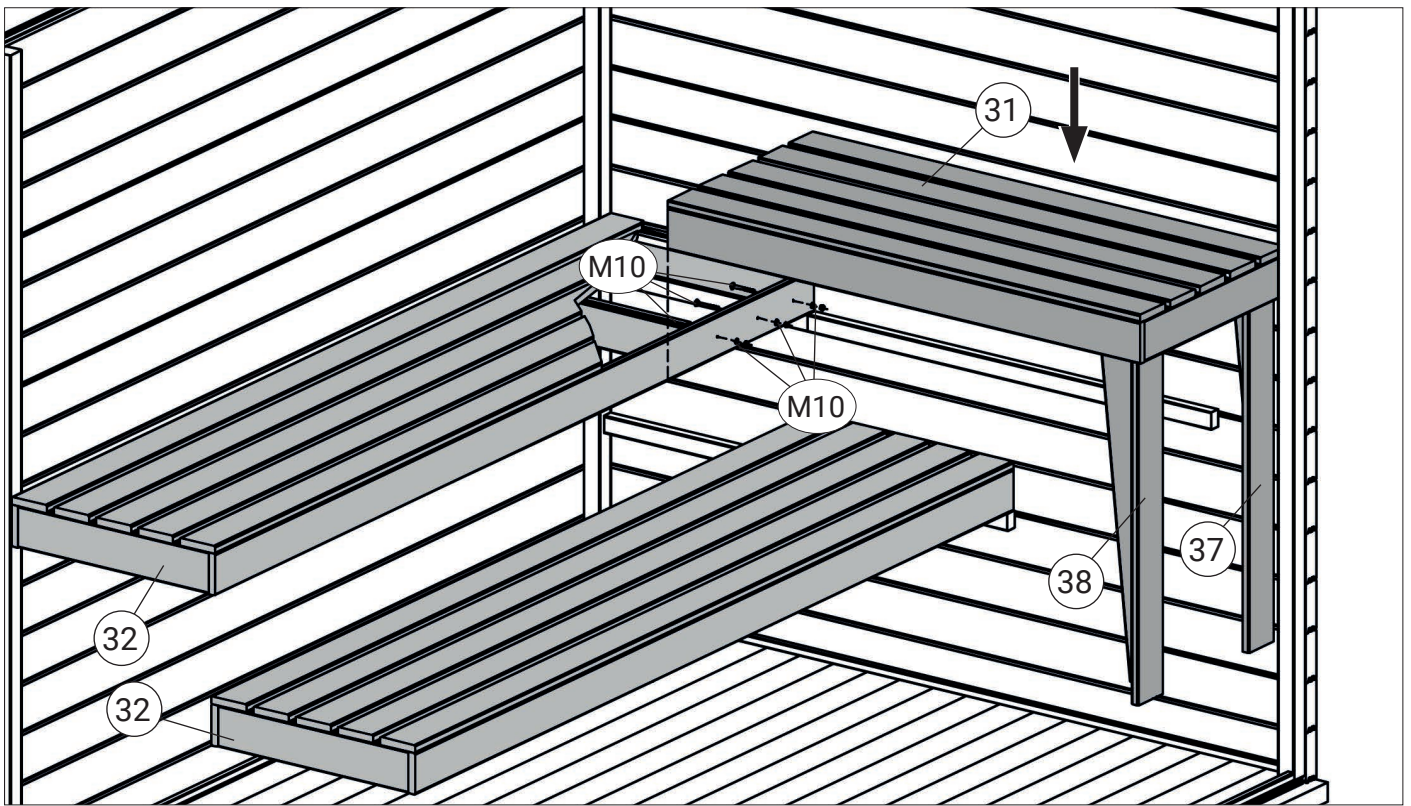
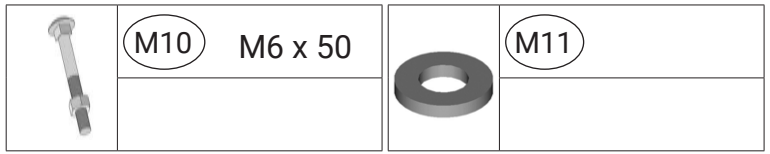


**20.1** 53424208X000



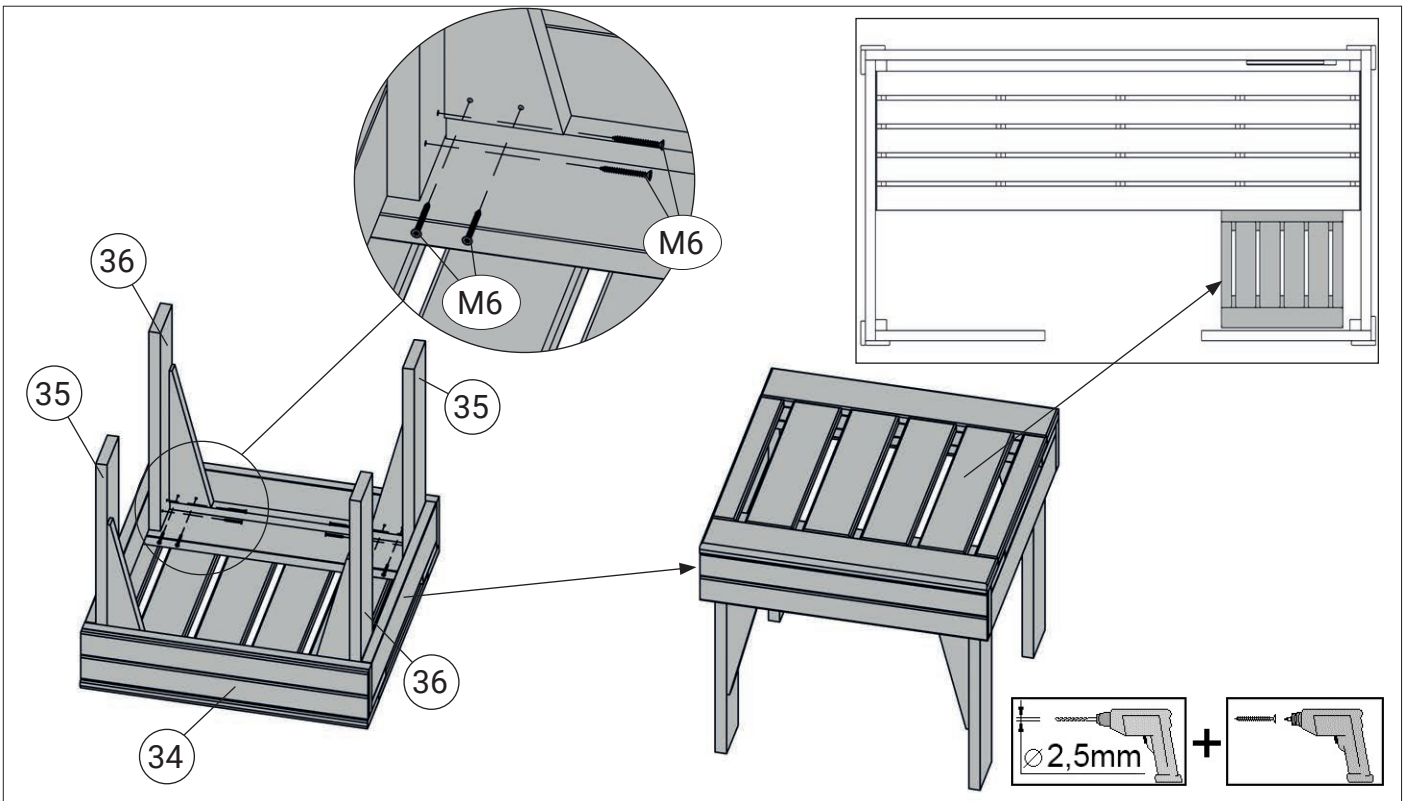
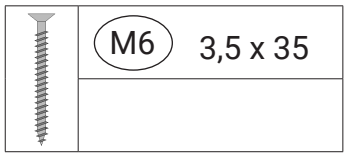
# 20.2

- 53420118X000= 1x (32)
- 53420158X000= 2x (32)
- 53420208X000= 2x (32)
- 53424208X000= 2x (32) 1x (31)

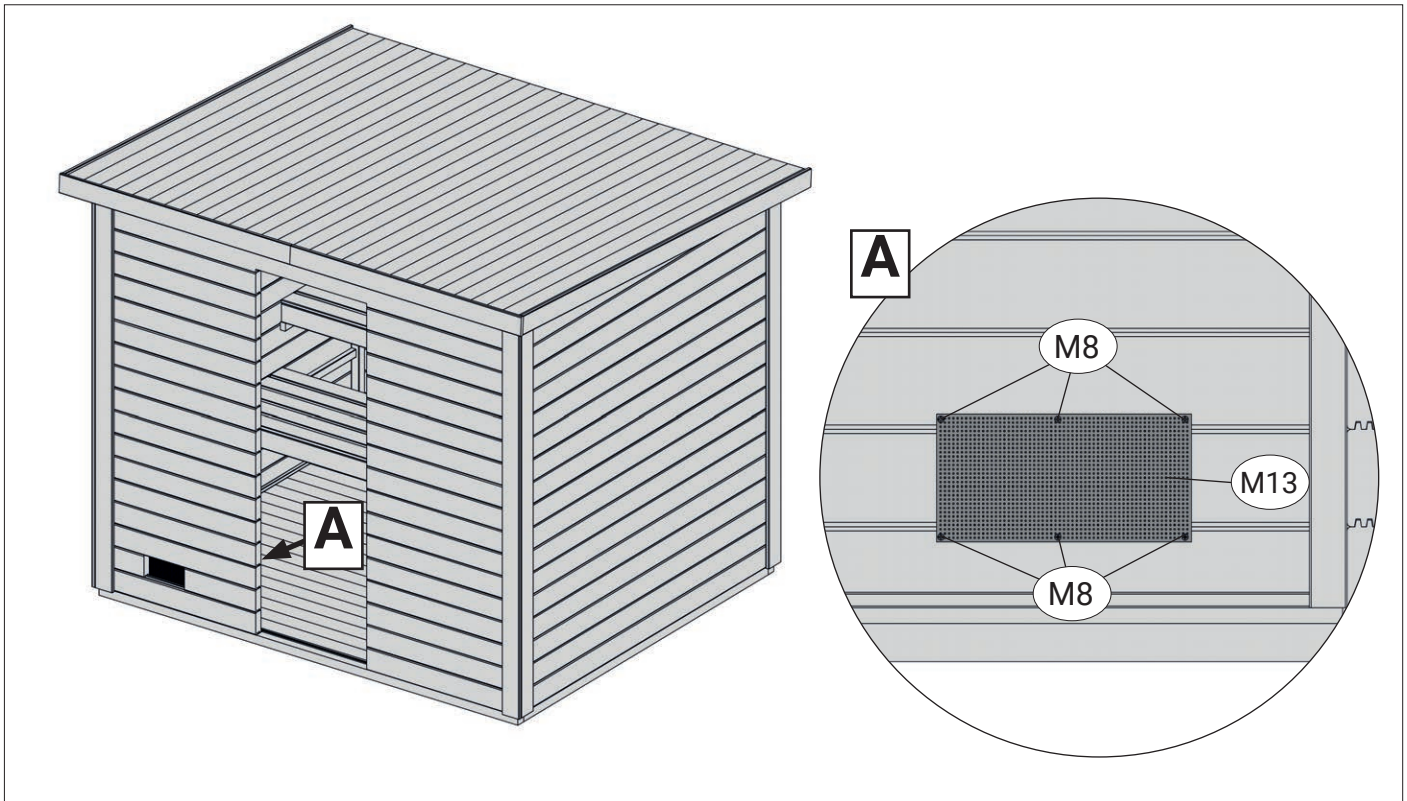
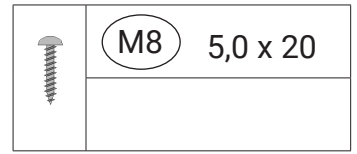


# 21

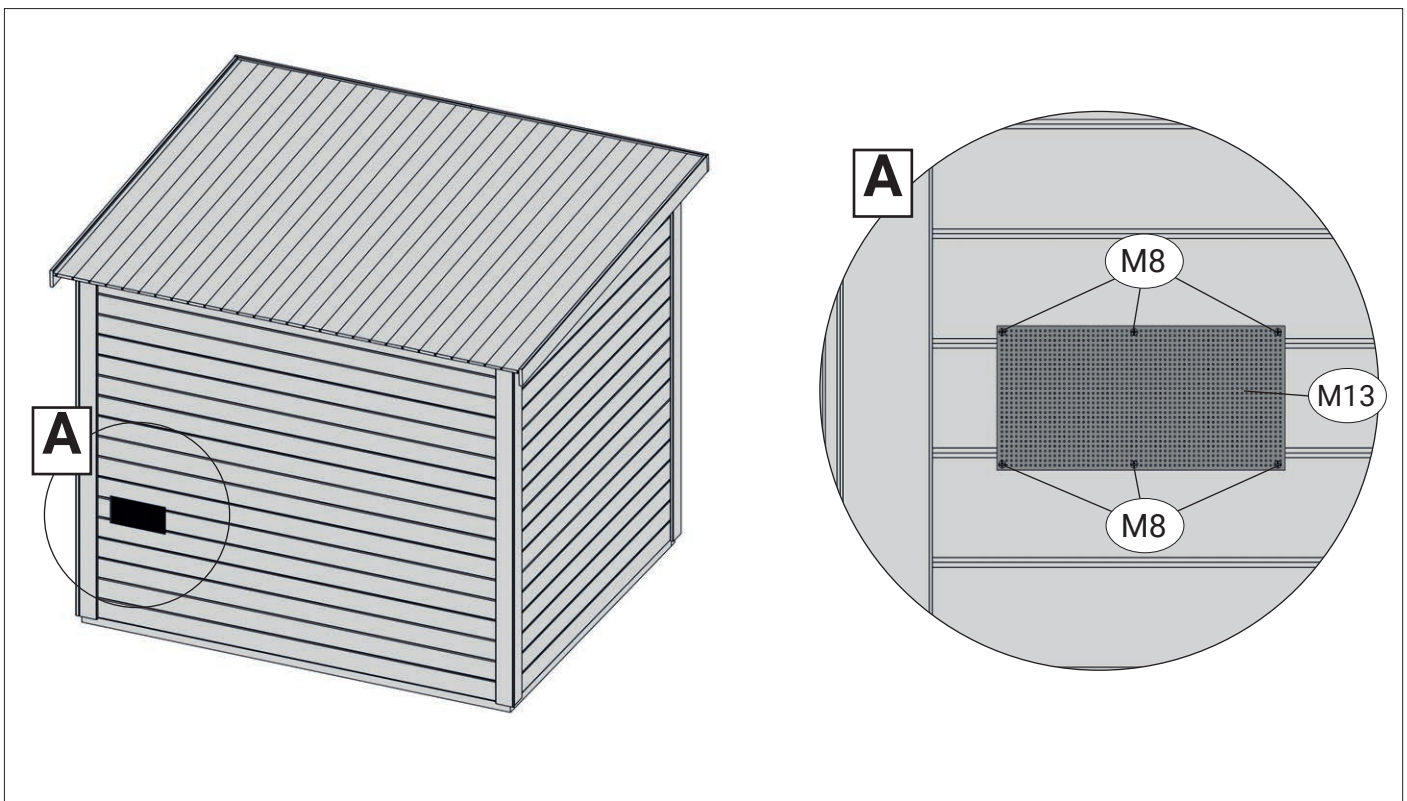
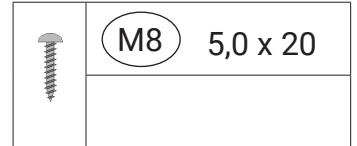
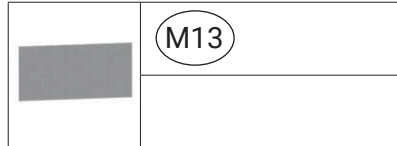
53420118X000




22

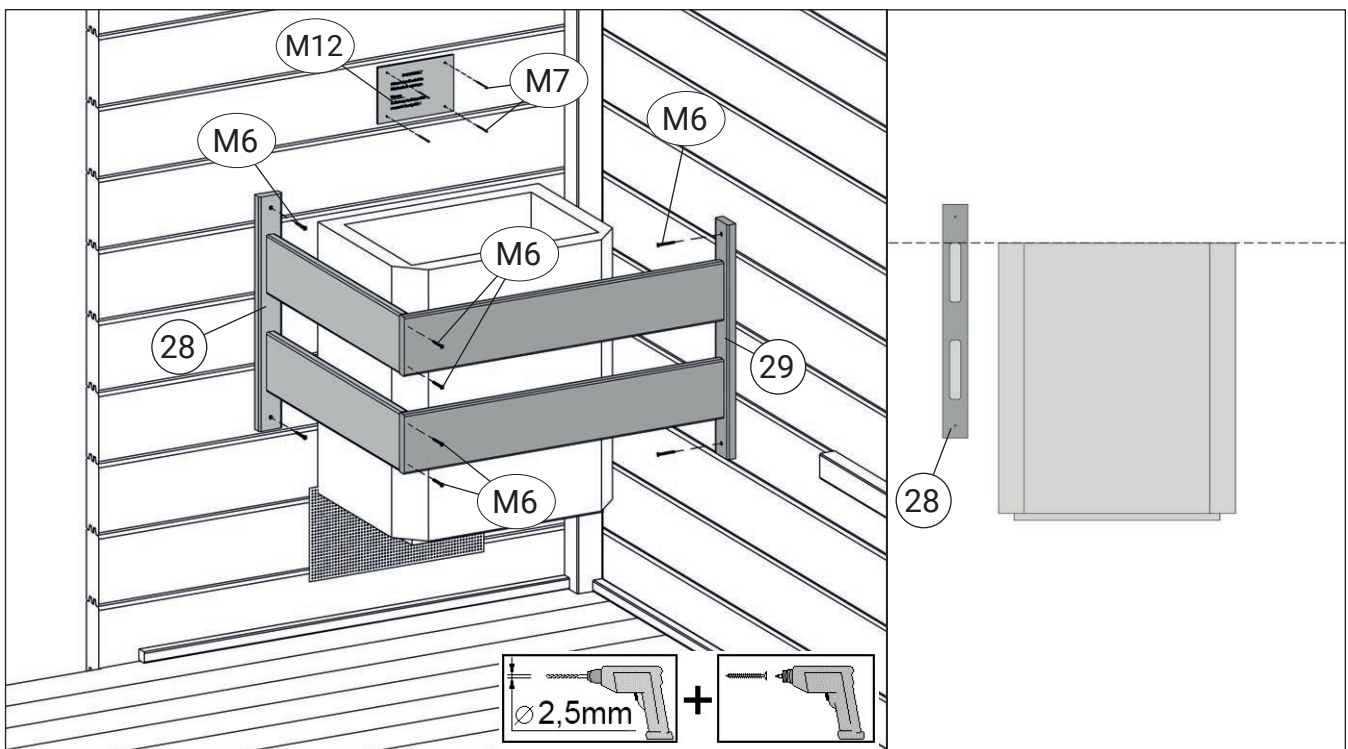
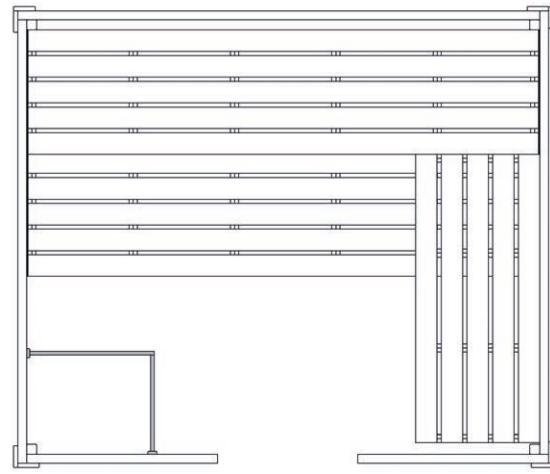


23

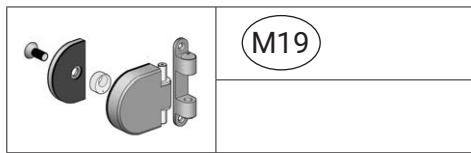


<p><b>WICHTIG!</b> Keinen Schweiß auf's Blech Beton Handbuch anschauen. Beton Bedienung des Heizelementes vermeiden! (Handgebläse?)</p>	M12

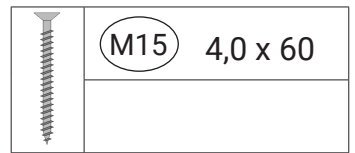
	M6 3,5 x 35
	M7 3,5 x 30



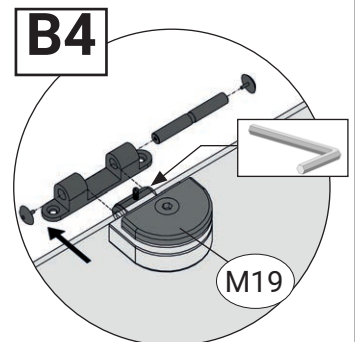
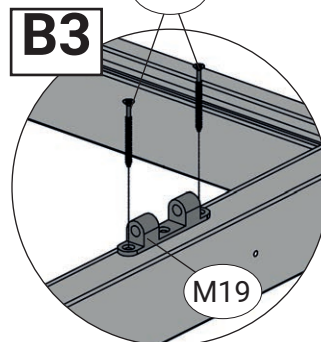
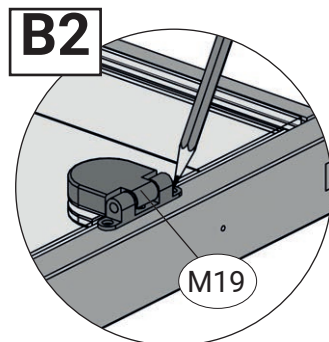
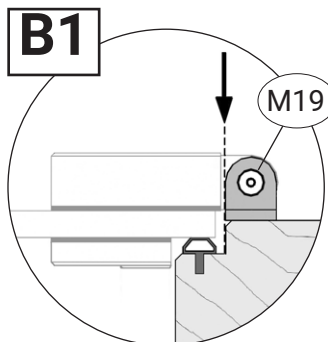
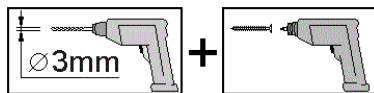
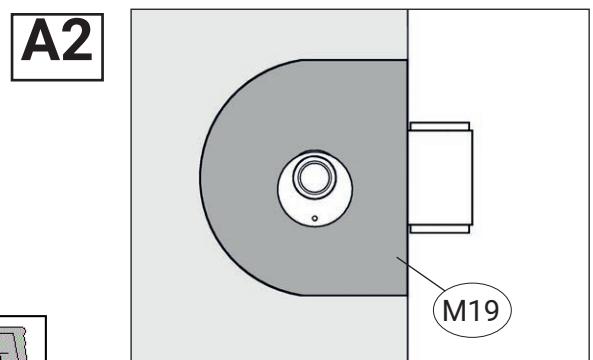
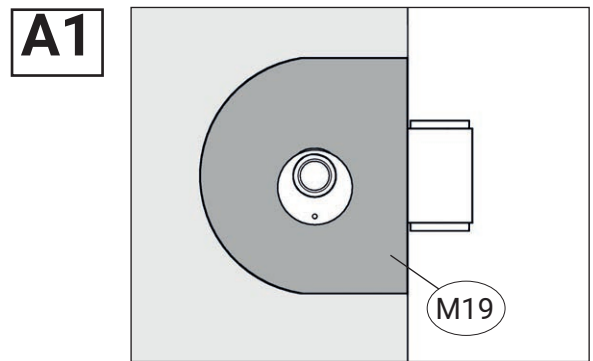
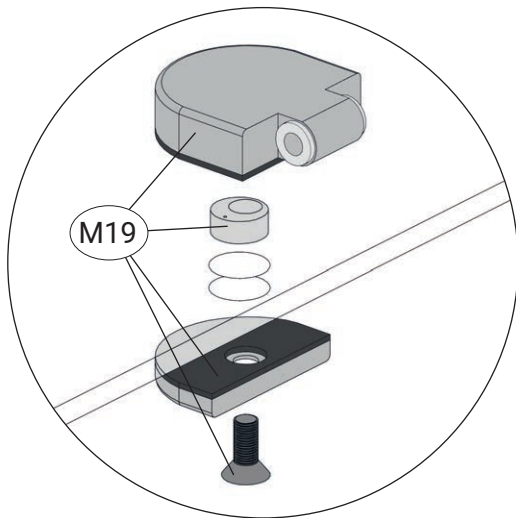
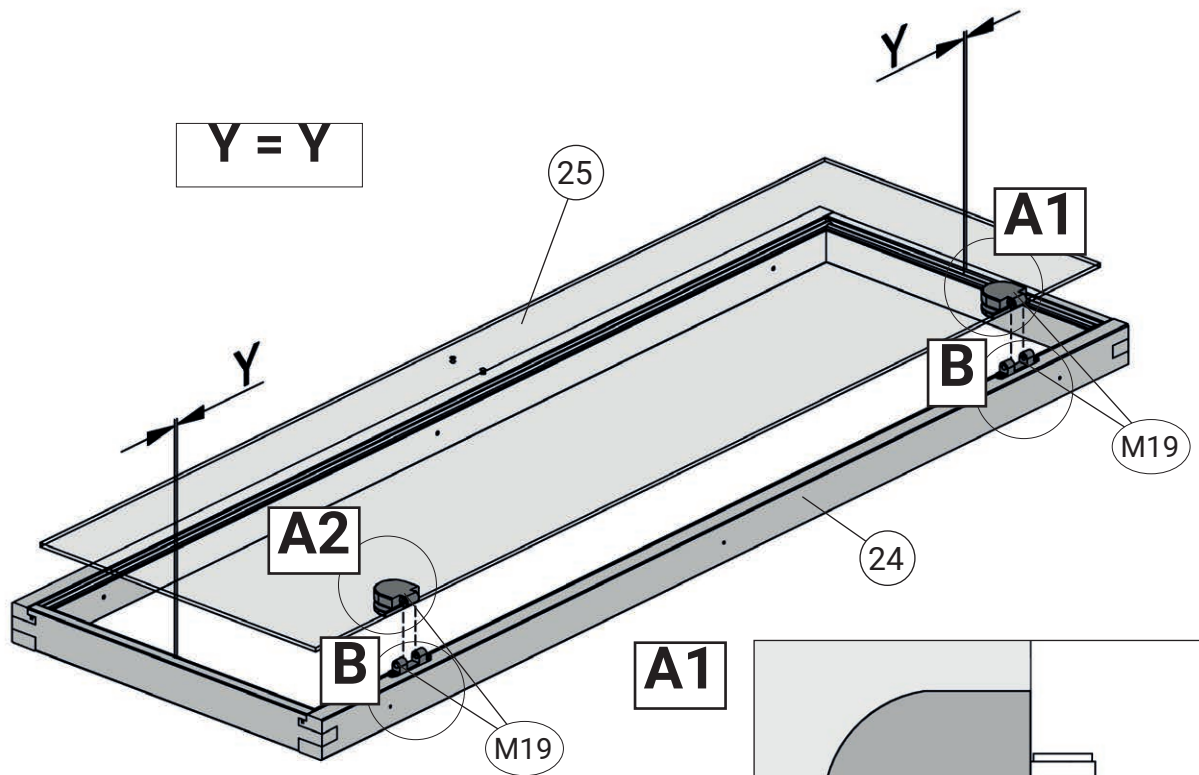
# 25.1



M19



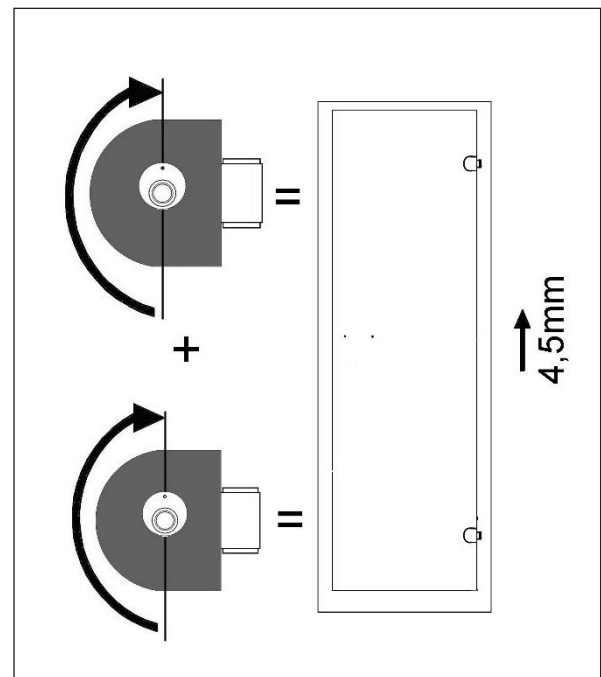
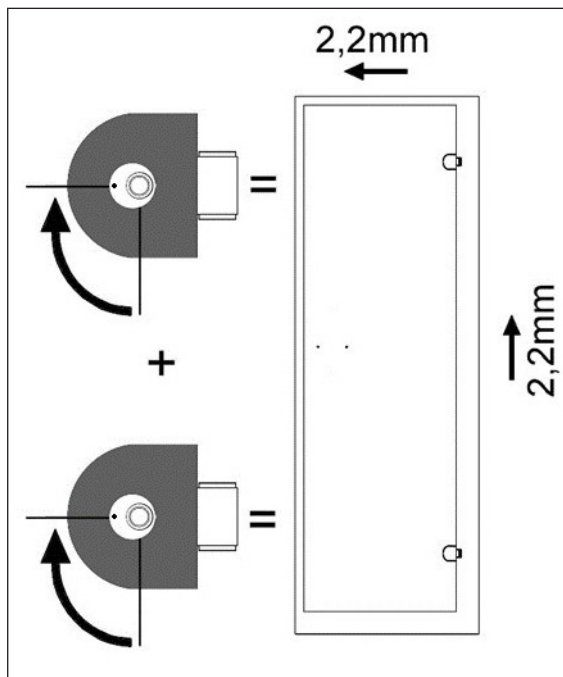
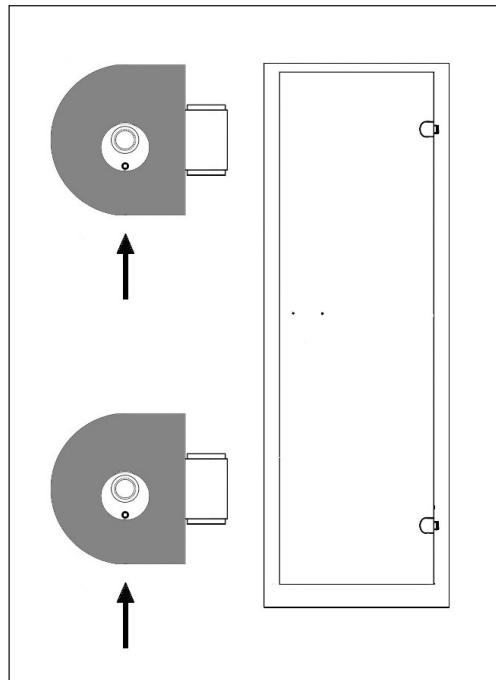
M15 4,0 x 60



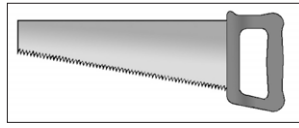
# 25.2

## Nachträgliche Korrektur des Türflügels durch Verstellen des Exzenters

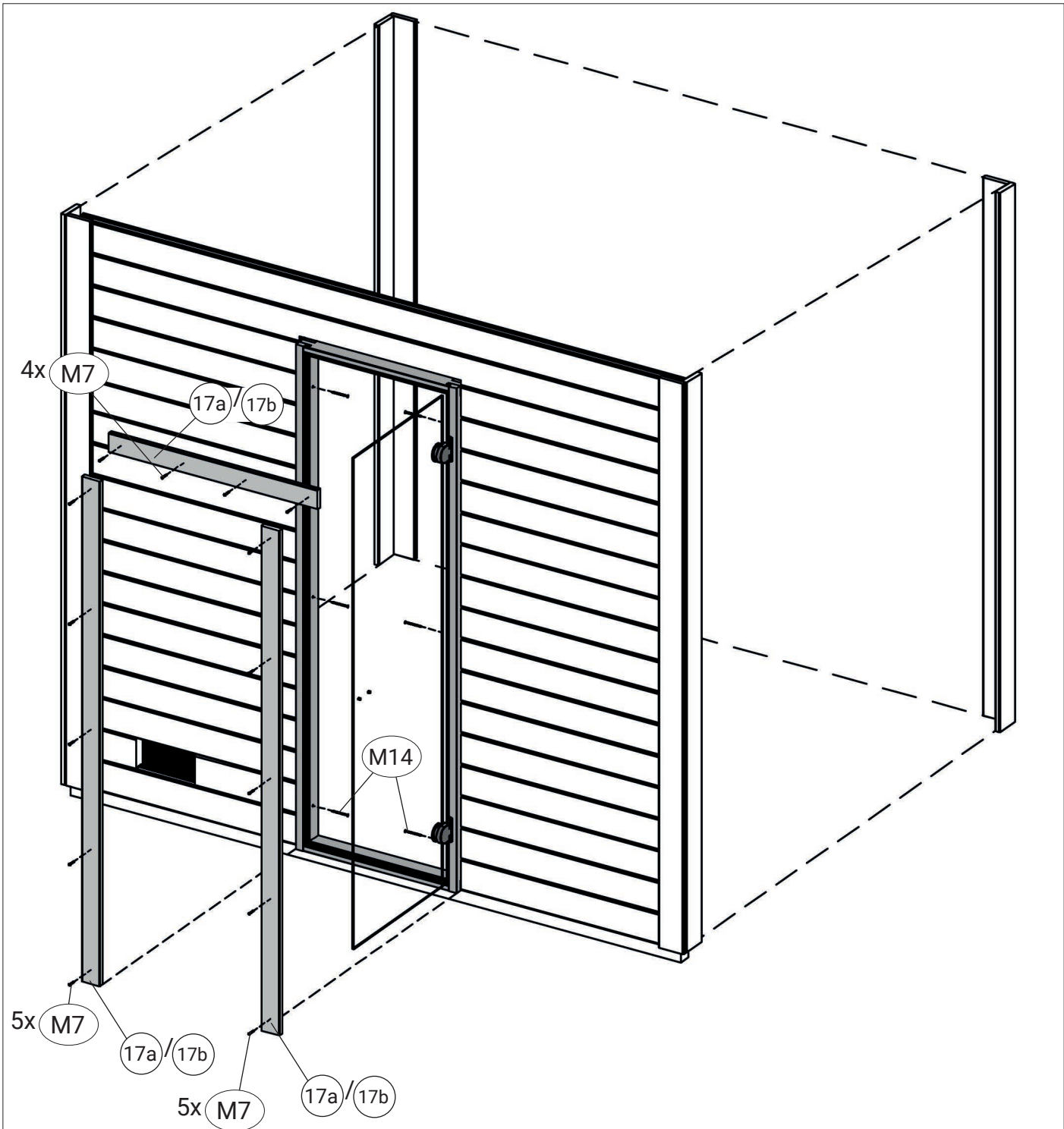
Grundstellung



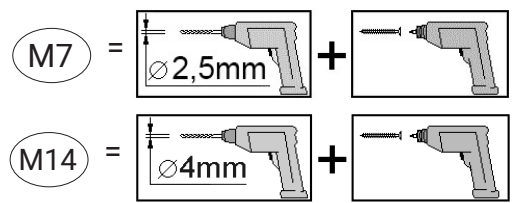
# 26.1



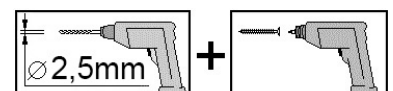
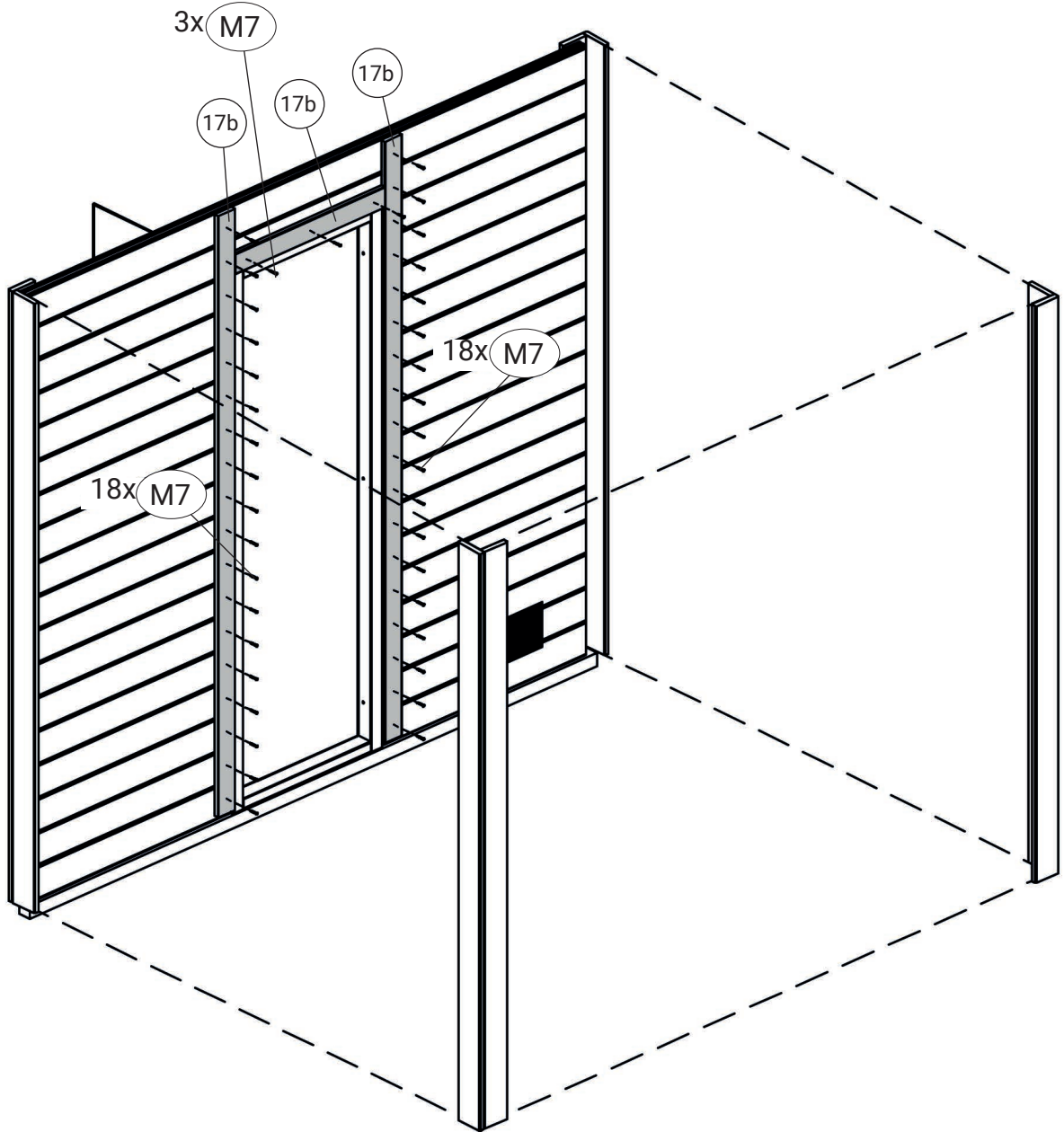
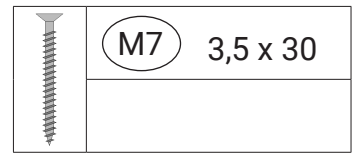
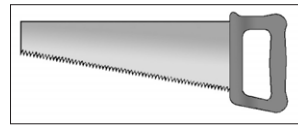
	M7	3,5 x 30
	M14	5,0 x 80

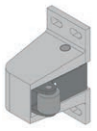



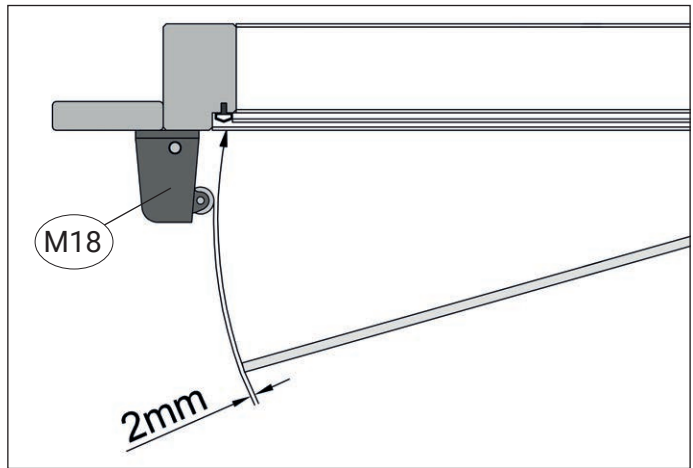
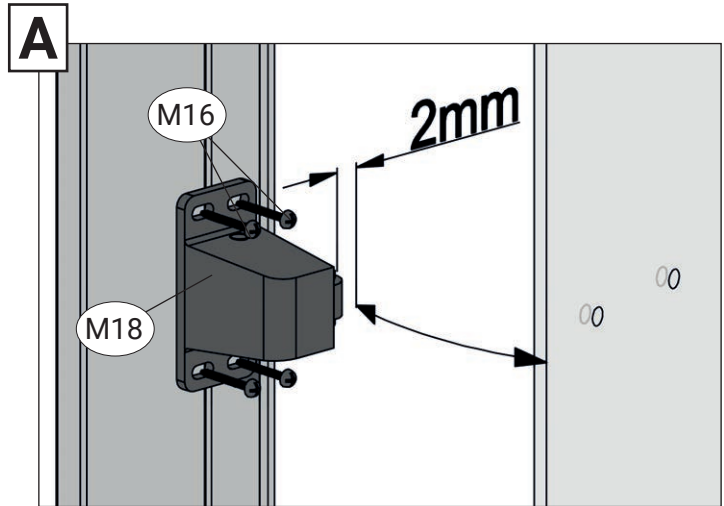
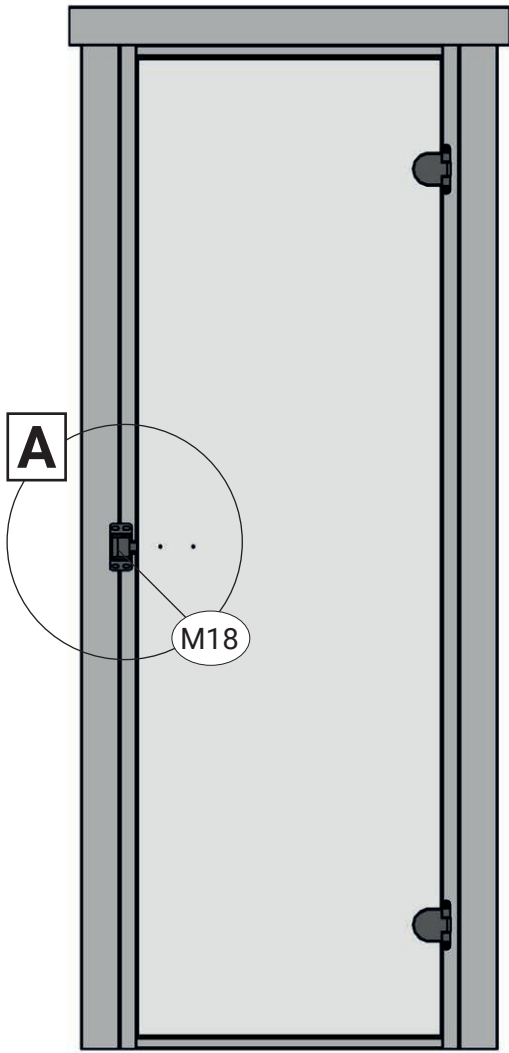
- |                                                                                                          |                                                                                                          |
|----------------------------------------------------------------------------------------------------------|----------------------------------------------------------------------------------------------------------|
| <p>Ⓜ17a = 534201187000<br/>         534201587000<br/>         534202087000<br/>         534242087000</p> | <p>Ⓜ17b = 534201180000<br/>         534201580000<br/>         534202080000<br/>         534242080000</p> |
|----------------------------------------------------------------------------------------------------------|----------------------------------------------------------------------------------------------------------|



# 26.2

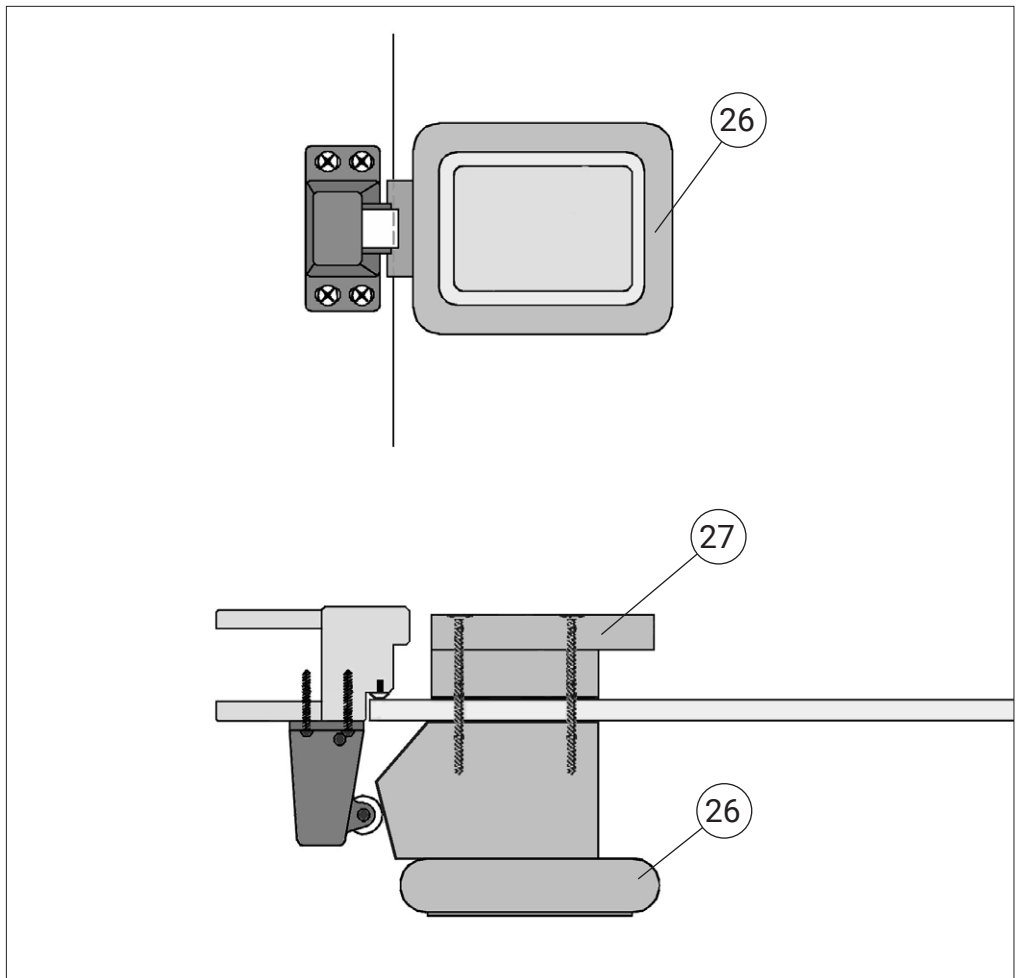
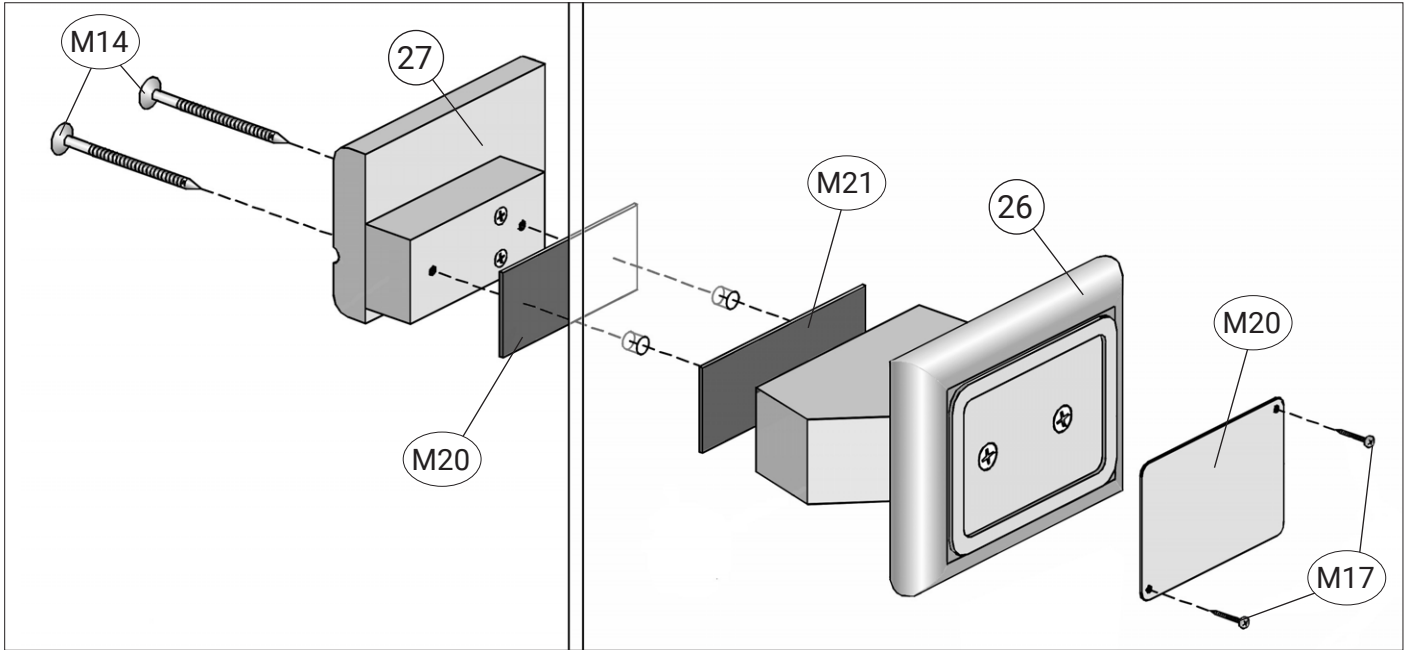
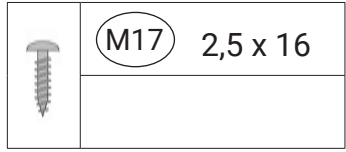
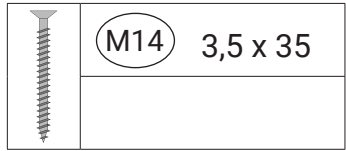
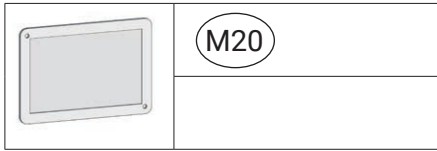


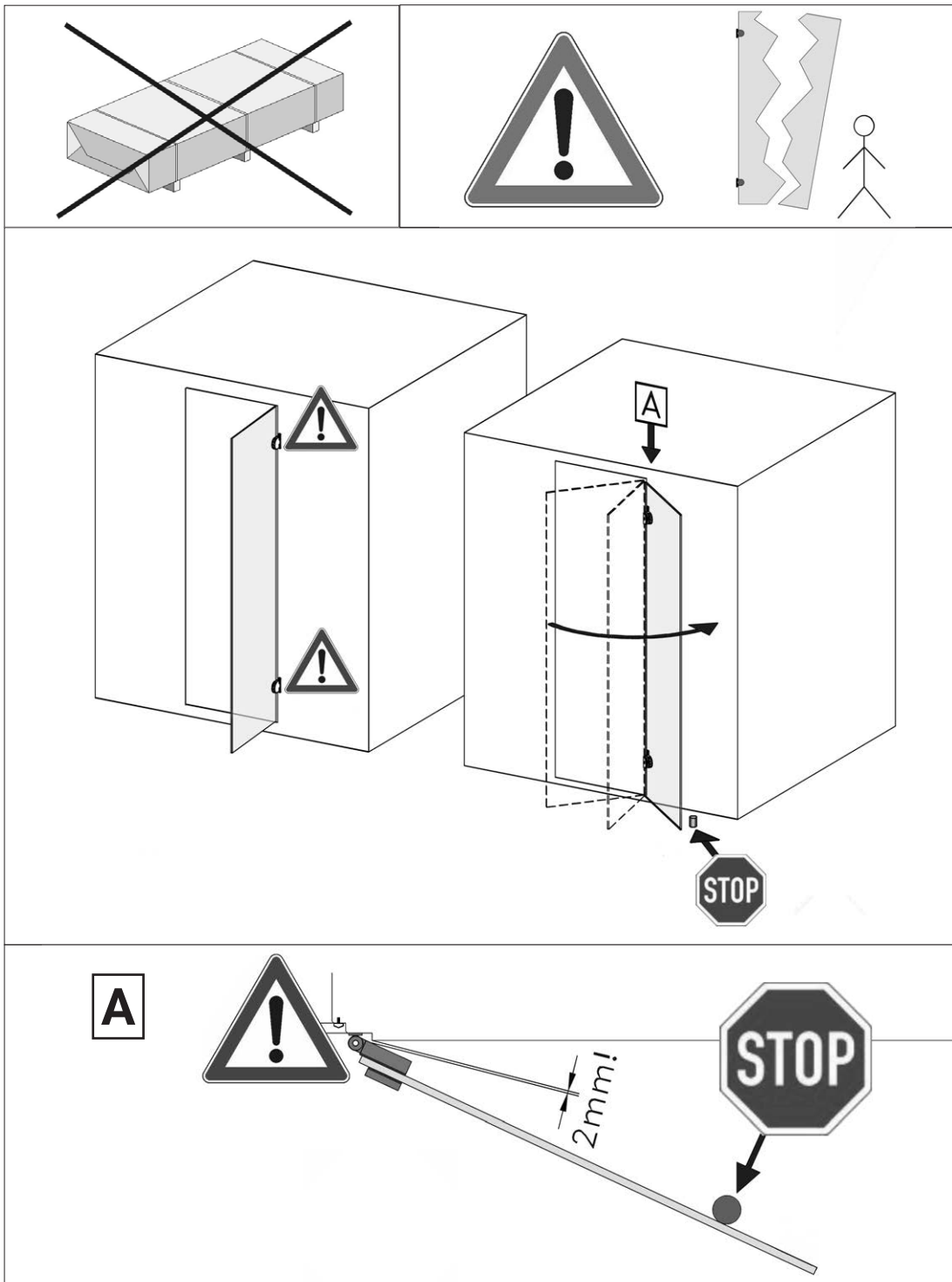
	M18		M16 5,0 x 40
----------------------------------------------------------------------------------	-----	------------------------------------------------------------------------------------	--------------





29







# Notizen



